

INDUSTRIES SERVED INCLUDE:



CEMENT



FOREST PRODUCTS



AGGREGATE



SHIP LOADING



COAL AND POWER GENERATION



MINING



AGRICULTURE

ALSO AVAILABLE FROM DOUGLAS:

PULLEYS

IMPACT BEDS

MAGNETIC SEPARATORS

TAKE-UPS

Contact us 205-884-1200
sales@douglasmanufacturing.com

Or visit our website at
www.douglasmanufacturing.com



IDLERS

CEMA B | CEMA C | CEMA D

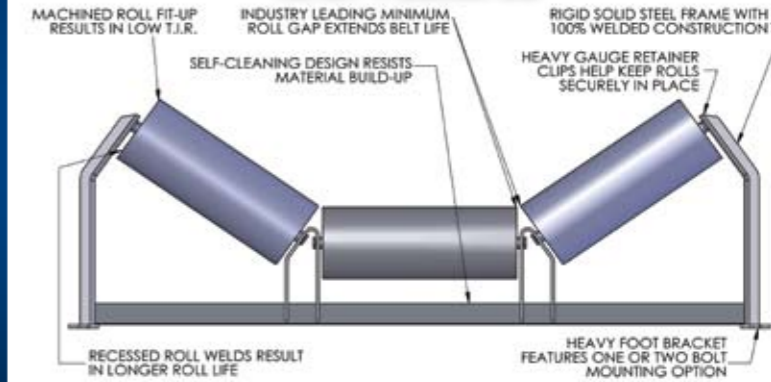


TROUGHING | RETURN | IMPACT | RUBBER DISC RETURN
SELF ALIGNING | SCALE QUALITY | LIVE SHAFT | V RETURN



Douglas Idlers are Engineered to be the Most Durable Idlers in Industry.

Idler Features

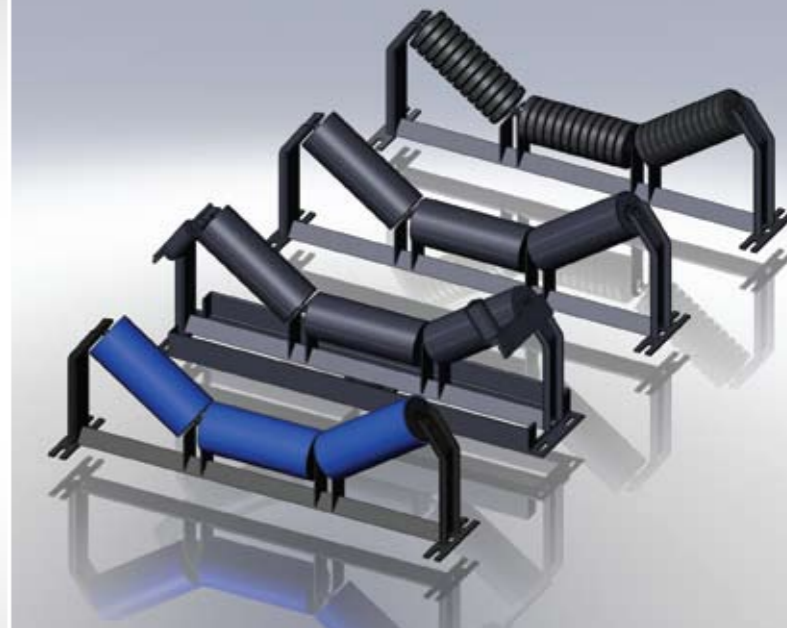


CEMA B, C & D Idler

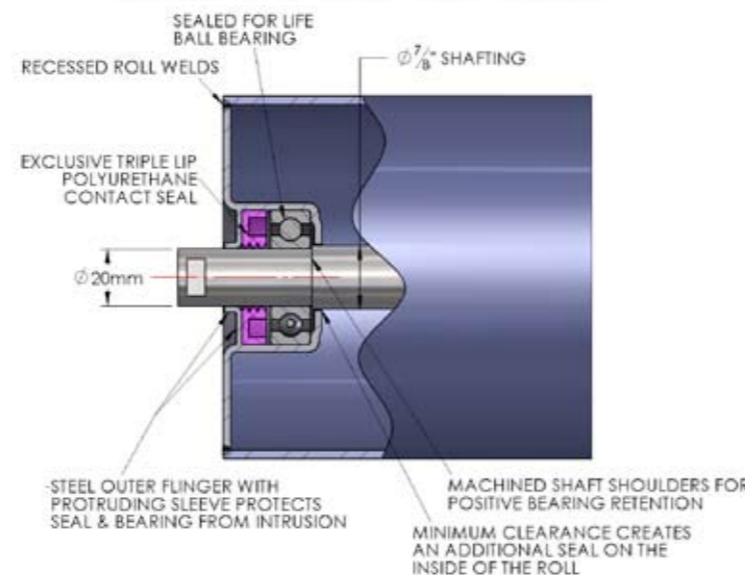
- Deep drawn steel end cap with metal outer seal provides excellent durability and protection
- Triple polyurethane contact seal prevents bearing contamination
- CNC Machined, shouldered shaft helps ensure proper bearing alignment
- Rigid, self cleaning, welded steel frame with interchangeable mounting slots
- Heavy precision ground sealed for life ball bearings
- Reduced friction levels help conserve energy
- Meets or exceeds CEMA B, C & D idler ratings



*Visit our website for details.



CEMA B/C Idler Roll Detail



CEMA D Idler Roll Detail

