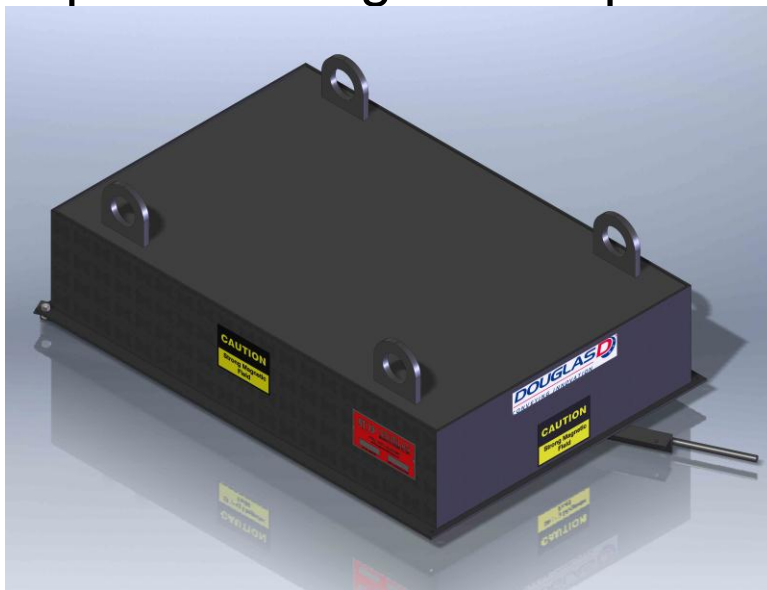




Safety, Operation, & Maintenance Manual

Douglas Heavy Duty Manual Cleaning Suspended Magnetic Separators



Warning: This manual must be read, understood, and followed by anyone that installs, operates, and maintains this product. Failure to follow instructions may result in serious or fatal injury.

Douglas Manufacturing Co., Inc.

300 Industrial Park Drive, Pell City, Alabama 35125 • Tel: (205) 884-1200 • Fax:
(205) 884-1206

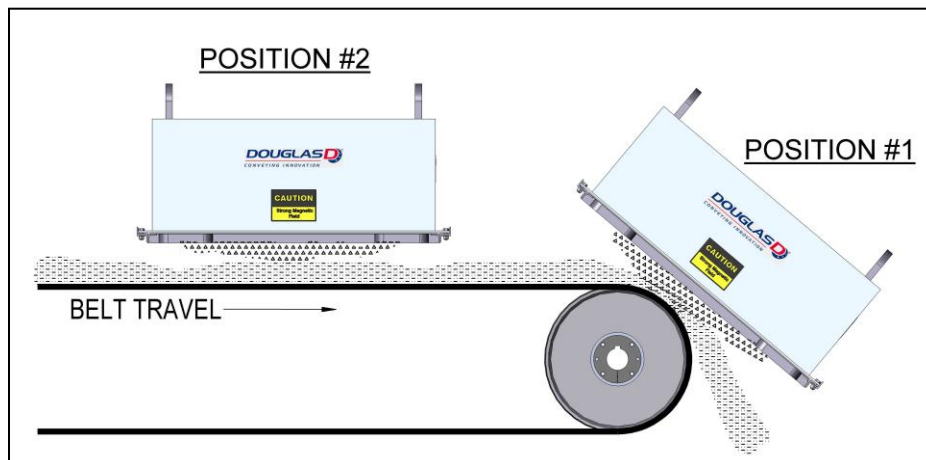
Email: sales@douglasmanufacturing.com

SAFETY INFORMATION

1. Follow all federal, state, and local and owner recommended safety guidelines.
2. Before beginning work on any motorized equipment always lockout and tag-out the equipment. Follow all OSHA, MSHA and in-house guidelines that pertain to lockout and tag-out procedures.
3. Do not allow anyone to attempt installation or operation of this unit until they have read this manual thoroughly and understand it completely.
4. Only personell who are safety trained and familiar with the mechanics and mechanical nature of conveyors, and rigging for unloading, should work on or around this unit.
5. When loading or unloading these units ensure that you are away from power lines and use caution to prevent metal equipment from contacting power lines.
6. Do not wear loose clothes, jewelry or neckties when working on or around belt conveyors. Long hair should be secured under a cap or bandana to prevent injury. The moving parts of a nearby belt conveyor may catch loose clothes, jewelry, neckties or long hair and may result in serious injury.
7. It is the customer's responsibility to install proper guards that adhere to local, state and federal, and in-house requirements to promote safety in the operation of this unit.
8. **Never attempt to clean the magnet while conveyor is running. Attempting to do so my result in serious injury or death. Lock out and tag out the conveyor before attempting to clean the magnetic separator.**
9. Welding is not allowed on this type of Magnetic Separator.
10. Periodically check this Magnetic Separator to verify that safety decals are in place. It is the owner's responsibility to replace missing, worn and/or faded decals as required.
11. Always replace worn components with factory recommended components.
12. Safety is the responsibility of all concerned. Be aware and alert at all times. Report unsafe conditions to the owner as soon as possible and always take improperly maintained or malfunctioning equipment out of service until such time as it may be properly serviced and returned to normal, safe operating conditions.
13. Please feel free to contact Douglas Manufacturing if you have any questions concerning your Cross Belt Magnetic Separator.

MODEL HMG INSTALLATION & OPERATION INSTRUCTIONS

- When installing your HMG cross belt magnet, make sure there is enough clearance to properly clean and maintain it for efficient operation.
- Preferred installation of this magnet is over the trajectory of material discharged from a belt conveyor. This is referred to as a position 1 installation (see illustration below).
- If a trajectory well away from the belt is developed, this is the best way to utilize the full potential of the separator since the material being treated is moving directly toward the magnet face (Position #1 mounting – see below). The momentum should assist the separation of tramp metal items. At slower conveyor speeds, as the trajectory of the discharge material becomes more nearly vertical, magnet position must be shifted back more nearly over the head pulley. At slow belt speeds a non-ferrous (stainless steel) head pulley may be required for effective separation if Position #1 mounting is chosen.
- An Installation with the separator over the moving bed of material before the discharge point of the conveyor is referred to as a position 2 installation (see illustration below). Position 2 mounting is not recommended where belt speeds are excessive.



- Install the cross belt magnet in a frame with rated lifting chain(s) to hold the magnet as required over the conveyor. The frame design should be according to an engineer's general arrangement drawing. The magnet is permanent so no electrical power is required.
- Never install with face of magnet more than 8 inches from face of magnet to belt top-cover centerline unless approved in writing by Douglas Manufacturing. Install the magnet so that the face of the magnet is as close

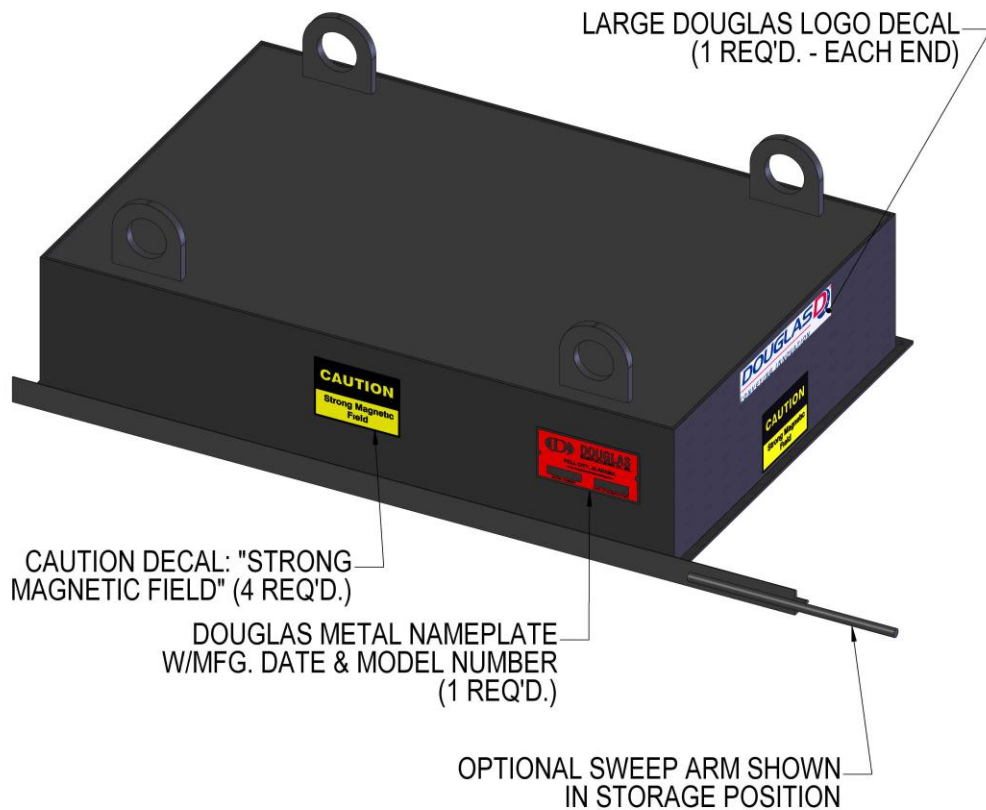
as possible to the product flow on the conveyor. Mounting height is critical to magnet performance.

If you have any questions about the operation of your cross belt magnet, call Douglas Manufacturing at any time during normal business hours.

Thank you for choosing a Douglas Cross Belt Magnetic Separator. We want it to give you years of low cost and safe service.

DECAL LOCATIONS

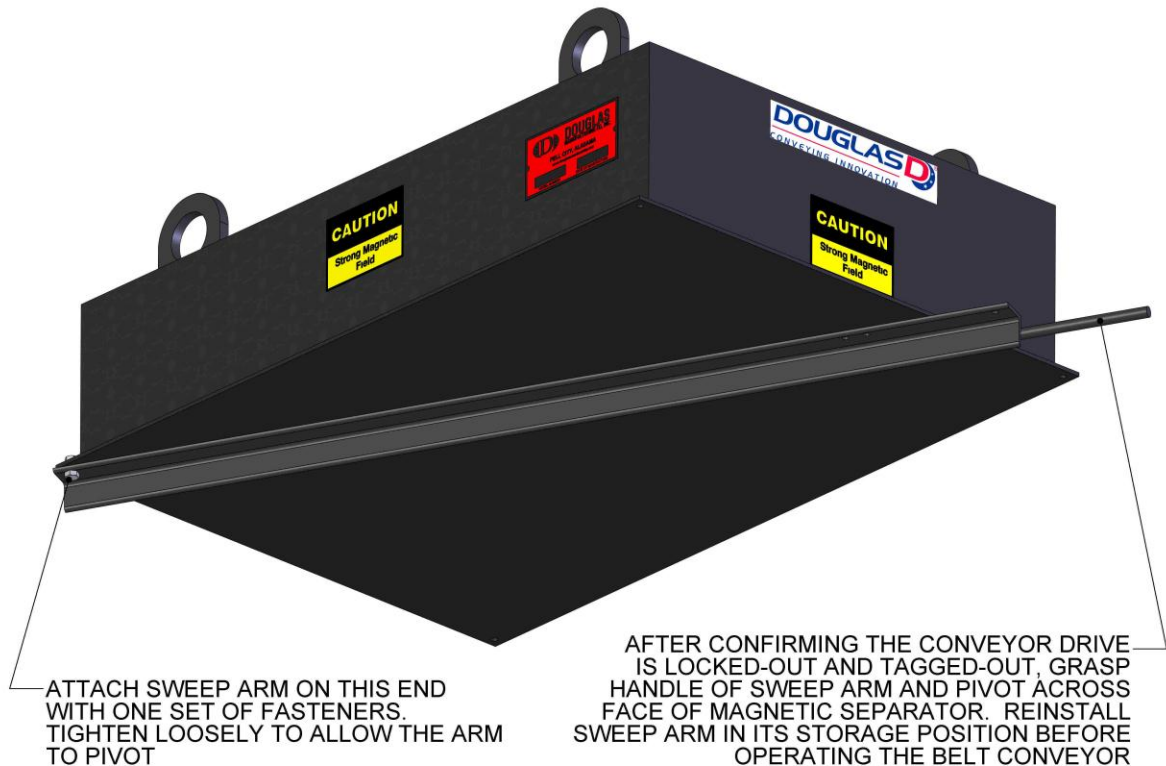
If during routine inspections you discover missing items such as the name plate, logos, and caution or warning decals please contact Douglas Manufacturing as soon as possible to request replacements. Use the diagram below when you are ready to reattach them.



Operation & Maintenance:

- The ferrous tramp metal item(s) will be collected on the magnet face. It is necessary to periodically remove the accumulated tramp metal items by hand picking or using the optional Sweep Arm.

- **Never attempt to clean the magnet while the conveyor is running. Attempting to do so may result in serious injury or death. Lock out and tag out the conveyor before attempting to clean the magnetic separator.**
- When using the optional Sweep Arm to remove tramp metal items please follow these recommendations:



- Before periodic cleaning of the magnet face follow all OSHA, MSHA and in-house guidelines that pertain to conveyor lockout and tag-out procedures. **Never attempt to clean the magnet while the conveyor is running. Attempting to do so may result in serious injury or death.**
- Inspect the magnetic separator on a regular basis and take note of excessive distortion or wear of the bottom plate. Consider replacing the unit if you notice either of these issues.
- There are no parts to replace other than the optional sweep arm, fasteners, decals, nameplate, and logos. Contact Douglas if you have any questions or need replacement parts.