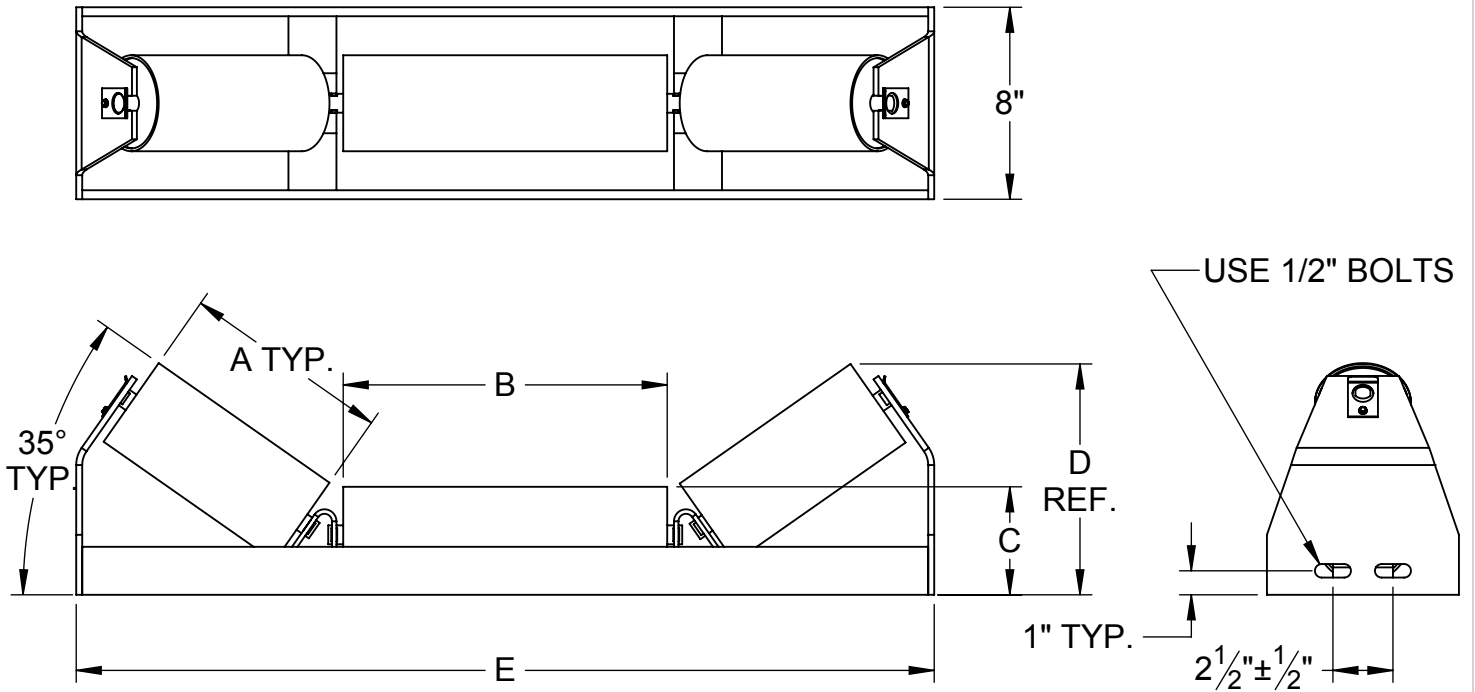

**CEMA B 20° LOW PROFILE CHANNEL MOUNT TROUGH IDLER 4" DIAMETER ROLLS**

BELT WIDTH	MODEL NO.	WT.	A	B	C	D	E
18	DBL-18-20-04	32	5 7/8	7 1/16	4 1/2	6 3/4	23 3/4
20	DBL-20-20-04	35	5 11/16	8 11/16	4 1/2	6 5/8	25 3/4
24	DBL-24-20-04	39	7	9 7/8	4 1/2	7 3/16	29 3/4
30	DBL-30-20-04	46	8 7/8	12 5/16	4 1/2	7 5/8	35 3/4
36	DBL-36-20-04	52	11	14 3/8	4 1/2	8 3/8	41 3/4
42	DBL-42-20-04	58	12 15/16	16 1/8	4 1/2	9 1/8	47 3/4
48	DBL-48-20-04	65	14 15/16	17 5/8	4 1/2	9 13/16	53 3/4

**CEMA B 20° LOW PROFILE CHANNEL MOUNT TROUGH IDLER 5" DIAMETER ROLLS**

BELT WIDTH	MODEL NO.	WT.	A	B	C	D	E
18	DBL-18-20-05	35	5 7/8	7 1/16	5	7 1/4	23 3/4
20	DBL-20-20-05	39	29	7 9/16	5	7 1/16	25 3/4
24	DBL-24-20-05	44	7	9 7/8	5	7 5/8	29 3/4
30	DBL-30-20-05	51	8 7/8	12 5/16	5	8 1/8	35 3/4
36	DBL-36-20-05	58	11	14 3/8	5	8 13/16	41 3/4
42	DBL-42-20-05	65	12 15/16	16 1/8	5	9 9/16	47 3/4
48	DBL-48-20-05	72	14 15/16	17 5/8	5	10 1/4	53 3/4


**CEMA B 20° LOW PROFILE CHANNEL MOUNT TROUGH IDLER 4" DIAMETER ROLLS**

BELT WIDTH	MODEL NO.	WT.	A	B	C	D	E
18	DBL-18-35-04	33	5 7/8	7 1/16	4 1/2	8 1/8	23 3/4
20	DBL-20-35-04	35	5 11/16	8 11/16	4 1/2	8	25 3/4
24	DBL-24-35-04	40	7	9 7/8	4 1/2	9 5/8	29 3/4
30	DBL-30-35-04	47	8 7/8	12 5/16	4 1/2	9 3/4	35 3/4
36	DBL-36-35-04	53	11	14 3/8	4 1/2	11	41 3/4
42	DBL-42-35-04	59	12 15/16	16 1/8	4 1/2	12 1/2	47 3/4
48	DBL-48-35-04	66	14 15/16	17 5/8	4 1/2	13 1/4	53 3/4

**CEMA B 20° LOW PROFILE CHANNEL MOUNT TROUGH IDLER 5" DIAMETER ROLLS**

BELT WIDTH	MODEL NO.	WT.	A	B	C	D	E
18	DBL-18-35-05	39	5 7/8	7 1/16	5	8 1/2	23 3/4
20	DBL-20-35-05	42	29	7 9/16	5	8 7/16	25 3/4
24	DBL-24-35-05	45	7	9 7/8	5	9	29 3/4
30	DBL-30-35-05	52	8 7/8	12 5/16	5	10 1/8	35 3/4
36	DBL-36-35-05	59	11	14 3/8	5	10 11/16	41 3/4
42	DBL-42-35-05	66	12 15/16	16 1/8	5	12 7/8	47 3/4
48	DBL-48-35-05	73	14 15/16	17 5/8	5	13 5/8	53 3/4