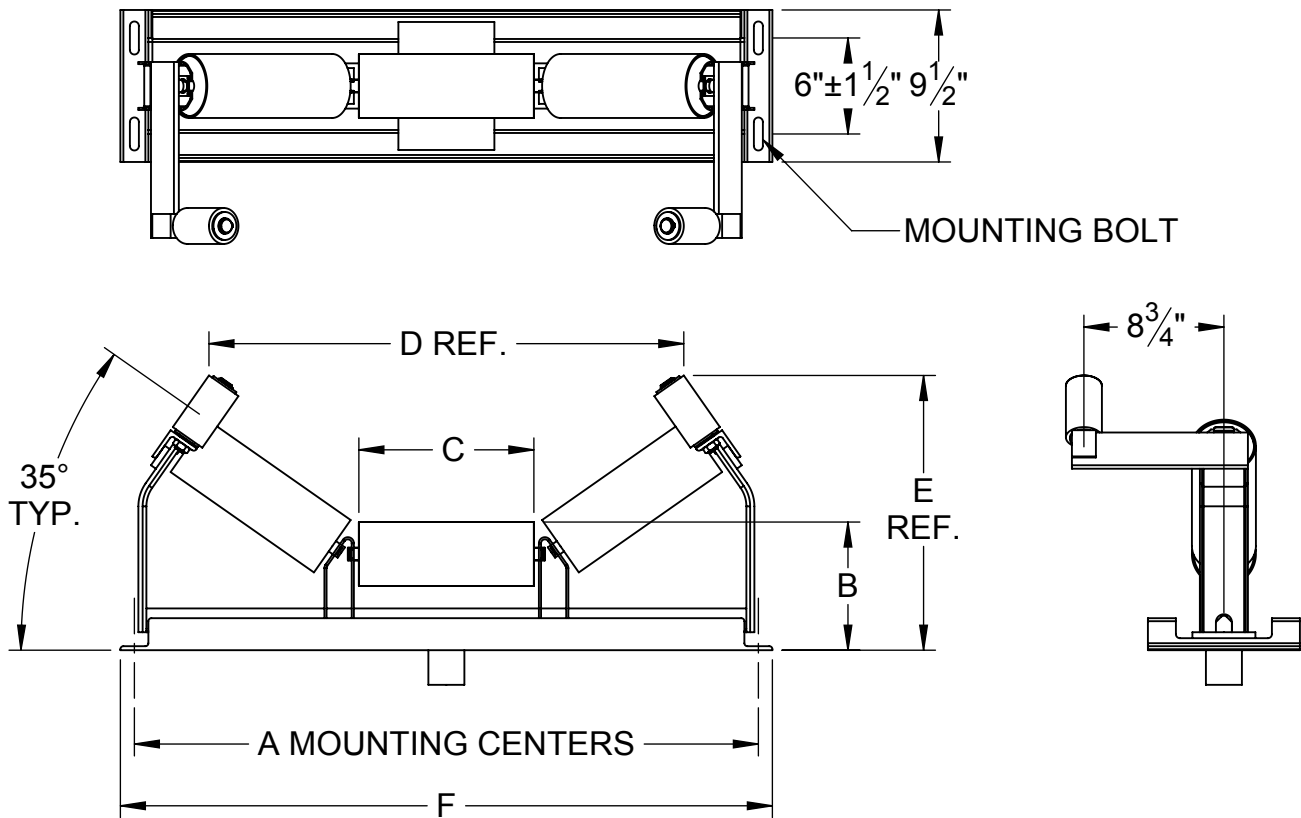

CEMA B 20° TROUGHING IDLER 4" DIAMETER ROLLS

BELT WIDTH	MODEL NO.	WT.	A	B	C	D	E	F	MOUNTING BOLT
18	DBS-18-20-04	73	27	8	6 5/8	21 7/8	12 15/16	28 3/4	1/2
20	DBS-20-20-04	75	29	8	7 1/4	23 3/4	13 1/16	30 3/4	1/2
24	DBS-24-20-04	84	33	8	8 11/16	27 9/16	13 13/16	34 3/4	1/2
30	DBS-30-20-04	94	39	8	10 15/16	34 9/16	14 1/2	40 3/4	1/2
36	DBS-36-20-04	104	45	8	12 15/16	40 3/16	15	46 3/4	5/8
42	DBS-42-20-04	118	51	8 7/16	14 15/16	46	16 1/4	52 3/4	5/8
48	DBS-48-20-04	128	57	8 7/16	16 15/16	51 3/4	16 7/8	58 3/4	5/8

CEMA B 20° TROUGHING IDLER 5" DIAMETER ROLLS

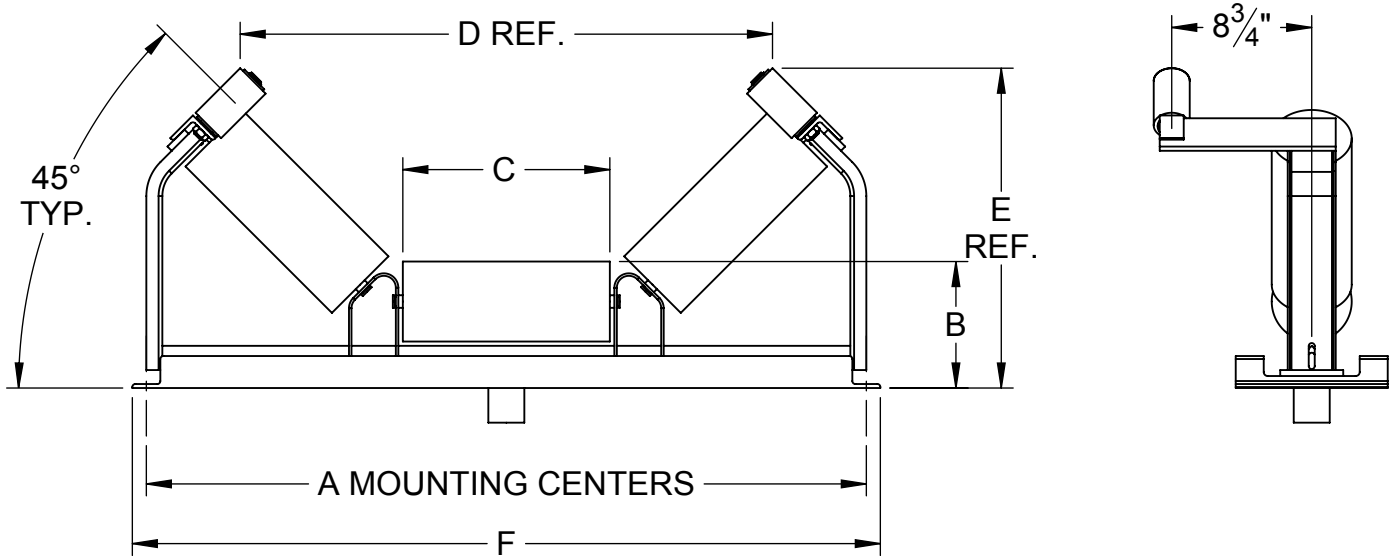
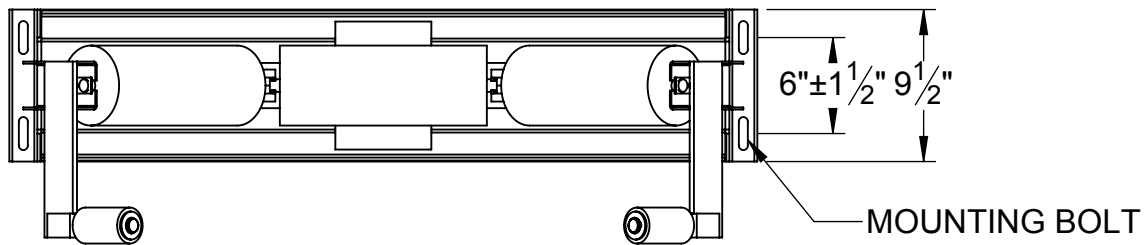
BELT WIDTH	MODEL NO.	WT.	A	B	C	D	E	F	MOUNTING BOLT
18	DBS-18-20-05	77	27	8 1/2	6 5/8	20 11/16	9 1/2	28 3/4	1/2
20	DBS-20-20-05	78	29	8 1/2	7 1/4	22 1/4	9 3/4	30 3/4	1/2
24	DBS-24-20-05	89	33	8 1/2	8 11/16	26 5/8	10 1/4	34 3/4	1/2
30	DBS-30-20-05	99	39	8 1/2	10 15/16	33 1/8	11 1/16	40 3/4	1/2
36	DBS-36-20-05	109	45	8 1/2	12 15/16	38 7/8	11 3/4	46 3/4	5/8
42	DBS-42-20-05	125	51	8 15/16	14 15/16	44 5/8	12 13/16	52 3/4	5/8
48	DBS-48-20-05	136	57	8 15/16	16 15/16	50 7/16	14 1/8	58 3/4	5/8


CEMA B 35° TROUGHING IDLER 4" DIAMETER ROLLS

BELT WIDTH	MODEL NO.	WT.	A	B	C	D	E	F	MOUNTING BOLT
18	DBS-18-35-04	74	27	8	6 5/8	18 1/4	14 1/2	28 3/4	1/2
20	DBS-20-35-04	76	29	8	7 1/4	19 15/16	14 11/16	30 3/4	1/2
24	DBS-24-35-04	85	33	8	8 11/16	24 1/4	16	34 3/4	1/2
30	DBS-30-35-04	95	39	8	10 15/16	29 11/16	17 3/16	40 3/4	1/2
36	DBS-36-35-04	104	45	8	12 15/16	35 1/8	18 5/16	46 3/4	5/8
42	DBS-42-35-04	119	51	8 7/16	14 15/16	40 3/8	19 13/16	52 3/4	5/8
48	DBS-48-35-04	129	57	8 7/16	16 15/16	49 1/2	20 11/16	58 3/4	5/8

CEMA B 35° TROUGHING IDLER 5" DIAMETER ROLLS

BELT WIDTH	MODEL NO.	WT.	A	B	C	D	E	F	MOUNTING BOLT
18	DBS-18-35-05	78	27	8 1/2	6 5/8	18 1/4	14 1/2	28 3/4	1/2
20	DBS-20-35-05	85	29	8 1/2	7 1/4	19 15/16	14 11/16	30 3/4	1/2
24	DBS-24-35-05	85	33	8 1/2	8 11/16	24 1/4	16	34 3/4	1/2
30	DBS-30-35-05	99	39	8 1/2	10 15/16	29 11/16	17 3/16	40 3/4	1/2
36	DBS-36-35-05	109	45	8 1/2	12 15/16	35 1/8	18 5/16	46 3/4	5/8
42	DBS-42-35-05	119	51	8 15/16	14 15/16	40 3/8	19 13/16	52 3/4	5/8
48	DBS-48-35-05	129	57	8 15/16	16 15/16	49 1/2	20 11/16	58 3/4	5/8


CEMA B 45° TROUGHING IDLER 4" DIAMETER ROLLS

BELT WIDTH	MODEL NO.	WT.	A	B	C	D	E	F	MOUNTING BOLT
18	DBS-18-45-04	74	27	7 3/8	6 5/8	18 1/8	15 1/4	28 3/4	1/2
20	DBS-20-45-04	81	29	7 3/8	7 1/4	18 15/16	15 3/4	30 3/4	1/2
24	DBS-24-45-04	85	33	7 3/8	8 11/16	21 15/16	16 13/16	34 3/4	1/2
30	DBS-30-45-04	95	39	7 3/8	10 15/16	28 3/16	18 3/4	40 3/4	1/2
36	DBS-36-45-04	105	45	7 3/8	12 15/16	33 1/4	20	46 3/4	5/8
42	DBS-42-45-04	120	51	7 3/4	14 15/16	38 3/4	21 7/8	52 3/4	5/8
48	DBS-48-45-04	130	57	7 3/4	16 15/16	43 5/16	22 7/8	58 3/4	5/8

CEMA B 45° TROUGHING IDLER 5" DIAMETER ROLLS

BELT WIDTH	MODEL NO.	WT.	A	B	C	D	E	F	MOUNTING BOLT
18	DBS-18-45-05	78	27	7 7/8	6 5/8	18 1/8	15 1/4	28 3/4	1/2
20	DBS-20-45-05	85	29	7 7/8	7 1/4	18 15/16	15 3/4	30 3/4	1/2
24	DBS-24-45-05	90	33	7 7/8	8 11/16	21 15/16	16 13/16	34 3/4	1/2
30	DBS-30-45-05	100	39	7 7/8	10 15/16	28 3/16	18 3/4	40 3/4	1/2
36	DBS-36-45-05	110	45	7 7/8	12 15/16	33 1/4	20	46 3/4	5/8
42	DBS-42-45-05	126	51	8 1/4	14 15/16	38 3/4	21 7/8	52 3/4	5/8
48	DBS-48-45-05	136	57	8 1/4	16 15/16	43 5/16	22 7/8	58 3/4	5/8