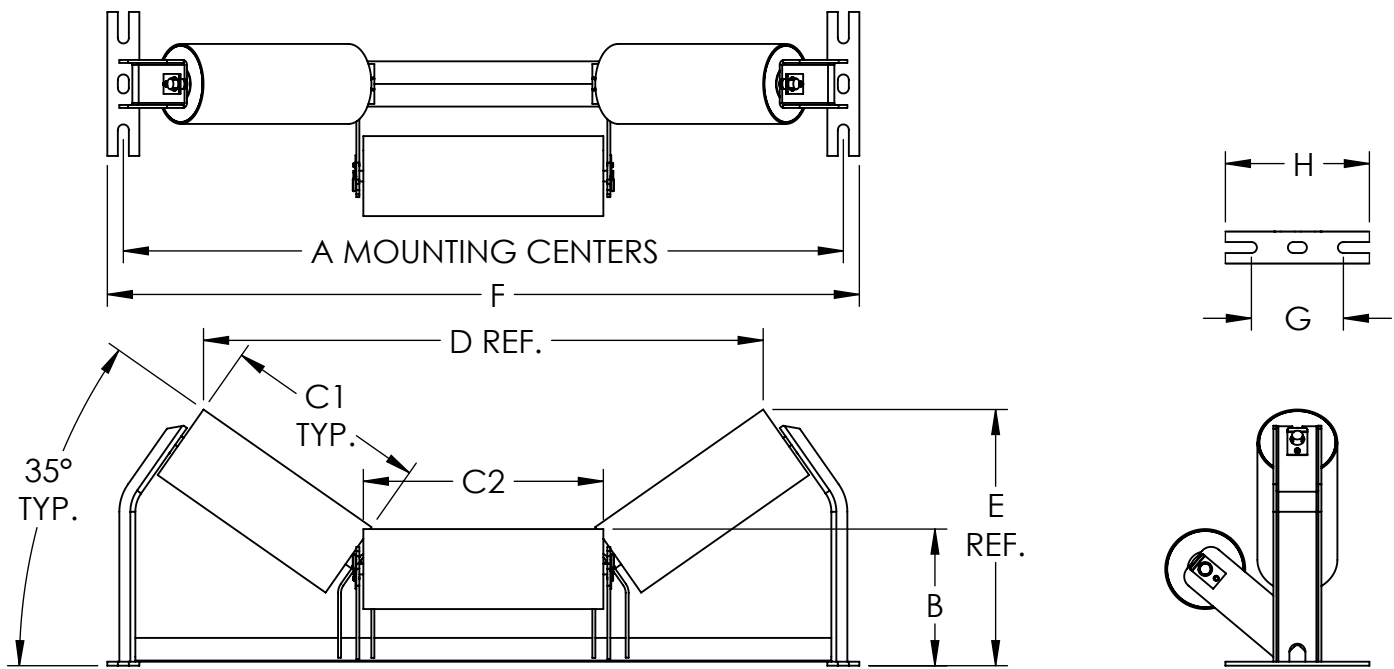


CEMA C 20° OFFSET CENTER ROLL TROUGH IDLER 4" DIAMETER ROLLS												
BELT WIDTH	MODEL NO.	WT.	A	B	C1	C2	D	E	F	G	H	MOUNTING BOLT
18	DCO-18-20-04	32	27	7 7/8	6 5/8	7 5/8	20 1/2	10 3/8	29	6	7 1/2	1/2
24	DCO-24-20-04	39	33	7 7/8	8 11/16	9 11/16	26 3/4	11 1/8	35	6	7 1/2	1/2
30	DCO-30-20-04	44	39	7 7/8	10 15/16	11 15/16	33	11 13/16	41	6	7 1/2	1/2
36	DCO-36-20-04	50	45	7 7/8	12 15/16	13 15/16	38 7/8	12 7/16	47	6	9	5/8
42	DCO-42-20-04	61	51	8 1/4	14 15/16	15 15/16	44 9/16	13 1/2	53	6	9	5/8
48	DCO-48-20-04	68	57	8 1/4	16 15/16	17 15/16	50 3/16	14 1/8	59	6	9	5/8
54	DCO-54-20-04	81	63	8 11/16	18 15/16	19 15/16	56 1/16	15 5/16	65 1/2	9	11	5/8
60	DCO-60-20-04	89	69	8 11/16	20 15/16	21 15/16	61 13/16	16	71 1/2	9	11	5/8

CEMA C 20° OFFSET CENTER ROLL TROUGH IDLER 5" DIAMETER ROLLS												
BELT WIDTH	MODEL NO.	WT.	A	B	C1	C2	D	E	F	G	H	MOUNTING BOLT
18	DCO-18-20-05	36	27	8 3/8	6 5/8	7 5/8	20 3/16	10 7/8	29	6	7 1/2	1/2
24	DCO-24-20-05	43	33	8 3/8	8 11/16	9 11/16	26 3/8	11 9/16	35	6	7 1/2	1/2
30	DCO-30-20-05	49	39	8 3/8	10 15/16	11 15/16	32 5/8	12 1/4	41	6	7 1/2	1/2
36	DCO-36-20-05	56	45	8 3/8	12 15/16	13 15/16	38 1/2	12 7/8	47	6	9	5/8
42	DCO-42-20-05	68	51	8 3/4	14 15/16	15 15/16	44 3/16	13 15/16	53	6	9	5/8
48	DCO-48-20-05	75	57	8 3/4	16 15/16	17 15/16	49 15/16	14 5/8	59	6	9	5/8
54	DCO-54-20-05	89	63	9 3/16	18 15/16	19 15/16	55 11/16	15 3/4	65 1/2	9	11	5/8
60	DCO-60-20-05	97	69	9 3/16	20 15/16	21 15/16	61 1/2	16 7/16	71 1/2	9	11	5/8

CEMA C 20° OFFSET CENTER ROLL TROUGH IDLER 6" DIAMETER ROLLS												
BELT WIDTH	MODEL NO.	WT.	A	B	C1	C2	D	E	F	G	H	MOUNTING BOLT
18	DCO-18-20-06	45	27	8 7/8	6 5/8	7 5/8	19 13/16	11 5/16	29	6	7 1/2	1/2
24	DCO-24-20-06	54	33	8 7/8	8 11/16	9 11/16	26 1/16	12	35	6	7 1/2	1/2
30	DCO-30-20-06	61	39	8 7/8	10 15/16	11 15/16	32 5/16	12 3/4	41	6	7 1/2	1/2
36	DCO-36-20-06	69	45	8 7/8	12 15/16	13 15/16	38 3/16	13 5/16	47	6	9	5/8
42	DCO-42-20-06	83	51	9 1/4	14 15/16	15 15/16	43 7/8	14 7/16	53	6	9	5/8
48	DCO-48-20-06	91	57	9 1/4	16 15/16	17 15/16	49 5/8	15 1/8	59	6	9	5/8
54	DCO-54-20-06	107	63	9 11/16	18 15/16	19 15/16	55 3/8	16 1/4	65 1/2	9	11	5/8
60	DCO-60-20-06	117	69	9 11/16	20 15/16	21 15/16	61 1/8	16 15/16	71 1/2	9	11	5/8

All dimensions and specifications subject to change without notice.
 Certified dimensions and specifications of ordered material available on request.
 Copyright © 2017, Douglas Manufacturing Co., Inc. All rights reserved.

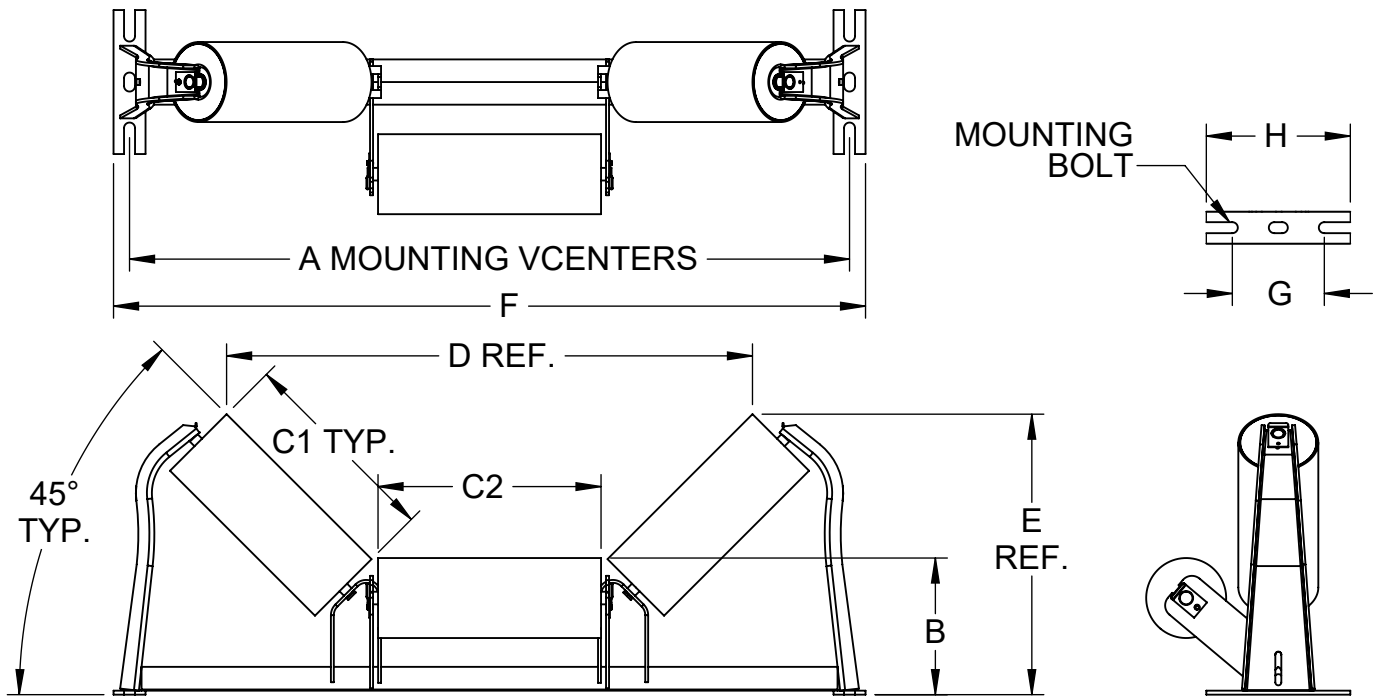


CEMA C 35° OFFSET CENTER ROLL TROUGH IDLER 4" DIAMETER ROLLS												
BELT WIDTH	MODEL NO.	WT.	A	B	C1	C2	D	E	F	G	H	MOUNTING BOLT
18	DCO-18-35-04	32	27	7 7/8	6 5/8	7 5/8	20 1/2	10 3/8	29	6	7 1/2	1/2
24	DCO-24-35-04	39	33	7 7/8	8 11/16	9 11/16	26 3/4	11 1/8	35	6	7 1/2	1/2
30	DCO-30-35-04	44	39	7 7/8	10 15/16	11 15/16	33	11 13/16	41	6	7 1/2	1/2
36	DCO-36-35-04	50	45	7 7/8	12 15/16	13 15/16	38 7/8	12 7/16	47	6	9	5/8
42	DCO-42-35-04	61	51	8 1/4	14 15/16	15 15/16	44 9/16	13 1/2	53	6	9	5/8
48	DCO-48-35-04	68	57	8 1/4	16 15/16	17 15/16	50 3/16	14 1/8	59	6	9	5/8
54	DCO-54-35-04	81	63	8 11/16	18 15/16	19 15/16	56 1/16	15 5/16	65 1/2	9	11	5/8
60	DCO-60-35-04	89	69	8 11/16	20 15/16	21 15/16	61 13/16	16	71 1/2	9	11	5/8

CEMA C 35° OFFSET CENTER ROLL TROUGH IDLER 5" DIAMETER ROLLS												
BELT WIDTH	MODEL NO.	WT.	A	B	C1	C2	D	E	F	G	H	MOUNTING BOLT
18	DCO-18-35-05	36	27	8 3/8	6 5/8	7 5/8	20 3/16	10 7/8	29	6	7 1/2	1/2
24	DCO-24-35-05	43	33	8 3/8	8 11/16	9 11/16	26 3/8	11 9/16	35	6	7 1/2	1/2
30	DCO-30-35-05	49	39	8 3/8	10 15/16	11 15/16	32 5/8	12 1/4	41	6	7 1/2	1/2
36	DCO-36-35-05	56	45	8 3/8	12 15/16	13 15/16	38 1/2	12 7/8	47	6	9	5/8
42	DCO-42-35-05	68	51	8 3/4	14 15/16	15 15/16	44 3/16	13 15/16	53	6	9	5/8
48	DCO-48-35-05	75	57	8 3/4	16 15/16	17 15/16	49 15/16	14 5/8	59	6	9	5/8
54	DCO-54-35-05	89	63	9 3/16	18 15/16	19 15/16	55 11/16	15 3/4	65 1/2	9	11	5/8
60	DCO-60-35-05	97	69	9 3/16	20 15/16	21 15/16	61 1/2	16 7/16	71 1/2	9	11	5/8

CEMA C 35° OFFSET CENTER ROLL TROUGH IDLER 6" DIAMETER ROLLS												
BELT WIDTH	MODEL NO.	WT.	A	B	C1	C2	D	E	F	G	H	MOUNTING BOLT
18	DCO-18-35-06	45	27	8 7/8	6 5/8	7 5/8	19 13/16	11 5/16	29	6	7 1/2	1/2
24	DCO-24-35-06	54	33	8 7/8	8 11/16	9 11/16	26 1/16	12	35	6	7 1/2	1/2
30	DCO-30-35-06	61	39	8 7/8	10 15/16	11 15/16	32 5/16	12 3/4	41	6	7 1/2	1/2
36	DCO-36-35-06	69	45	8 7/8	12 15/16	13 15/16	38 3/16	13 5/16	47	6	9	5/8
42	DCO-42-35-06	83	51	9 1/4	14 15/16	15 15/16	43 7/8	14 7/16	53	6	9	5/8
48	DCO-48-35-06	91	57	9 1/4	16 15/16	17 15/16	49 5/8	15 1/8	59	6	9	5/8
54	DCO-54-35-06	107	63	9 11/16	18 15/16	19 15/16	55 3/8	16 1/4	65 1/2	9	11	5/8
60	DCO-60-35-06	117	69	9 11/16	20 15/16	21 15/16	61 1/8	16 15/16	71 1/2	9	11	5/8

All dimensions and specifications subject to change without notice.
 Certified dimensions and specifications of ordered material available on request.
 Copyright © 2017, Douglas Manufacturing Co., Inc. All rights reserved.



CEMA C 45° OFFSET CENTER ROLL TROUGH IDLER - 4" DIAMETER ROLLS												
BELT WIDTH	MODEL NO.	WT.	A	B	C1	C2	D	E	F	G	H	MOUNTING BOLT
18	DCO-18-45-04	32	27	7 7/16	6 5/8	7 5/8	18 3/8	13	29	6	7 1/2	1/2
24	DCO-24-45-04	39	33	7 7/16	8 11/16	9 11/16	23 11/16	14 9/16	35	6	7 1/2	1/2
30	DCO-30-45-04	44	39	7 7/16	10 15/16	11 15/16	28 3/4	15 13/16	41	6	7 1/2	1/2
36	DCO-36-45-04	50	45	7 7/16	12 15/16	13 15/16	33 13/16	17 1/4	47	6	9	5/8
42	DCO-42-45-04	61	51	7 13/16	14 15/16	15 15/16	38 7/16	19	53	6	9	5/8
48	DCO-48-45-04	68	57	7 13/16	16 15/16	17 15/16	43 5/16	20 7/16	59	6	9	5/8
54	DCO-54-45-04	81	63	8 1/4	18 15/16	19 15/16	48 1/8	22 5/16	65 1/2	9	11	5/8
60	DCO-60-45-04	89	69	8 1/4	20 15/16	21 15/16	52 15/16	23 11/16	71 1/2	9	11	5/8

CEMA C 45° OFFSET CENTER ROLL TROUGH IDLER - 5" DIAMETER ROLLS												
BELT WIDTH	MODEL NO.	WT.	A	B	C1	C2	D	E	F	G	H	MOUNTING BOLT
18	DCO-18-45-05	36	27	7 15/16	6 5/8	7 5/8	17 11/16	13 3/8	29	6	7 1/2	1/2
24	DCO-24-45-05	43	33	7 15/16	8 11/16	9 11/16	23	14 7/8	35	6	7 1/2	1/2
30	DCO-30-45-05	49	39	7 15/16	10 15/16	11 15/16	28 1/16	16 3/16	41	6	7 1/2	1/2
36	DCO-36-45-05	56	45	7 15/16	12 15/16	13 15/16	36 1/8	17 5/8	47	6	9	5/8
42	DCO-42-45-05	68	51	8 5/16	14 15/16	15 15/16	37 3/4	19 3/8	53	6	9	5/8
48	DCO-48-45-05	75	57	8 5/16	16 15/16	17 15/16	42 9/16	20 3/4	59	6	9	5/8
54	DCO-54-45-05	89	63	8 3/4	18 15/16	19 15/16	47 3/8	22 5/8	65 1/2	9	11	5/8
60	DCO-60-45-05	97	69	8 3/4	20 15/16	21 15/16	52 1/4	24 1/16	71 1/2	9	11	5/8

CEMA C 45° OFFSET CENTER ROLL TROUGH IDLER - 6" DIAMETER ROLLS												
BELT WIDTH	MODEL NO.	WT.	A	B	C1	C2	D	E	F	G	H	MOUNTING BOLT
18	DCO-18-45-06	45	27	8 7/16	6 5/8	7 5/8	17	13 3/8	29	6	7 1/2	1/2
24	DCO-24-45-06	54	33	8 7/16	8 11/16	9 11/16	22 1/4	15 1/4	35	6	7 1/2	1/2
30	DCO-30-45-06	61	39	8 7/16	10 15/16	11 15/16	27 3/8	16 1/2	41	6	7 1/2	1/2
36	DCO-36-45-06	69	45	8 7/16	12 15/16	13 15/16	32 1/2	17 15/16	47	6	9	5/8
42	DCO-42-45-06	83	51	8 13/16	14 15/16	15 15/16	37 1/16	19 11/16	53	6	9	5/8
48	DCO-48-45-06	91	57	8 13/16	16 15/16	17 15/16	41 7/8	21 1/8	59	6	9	5/8
54	DCO-54-45-06	107	63	9 1/4	18 15/16	19 15/16	46 11/16	23	65 1/2	9	11	5/8
60	DCO-60-45-06	117	69	9 1/4	20 15/16	21 15/16	51 1/2	24 3/8	71 1/2	9	11	5/8

All dimensions and specifications subject to change without notice.
 Certified dimensions and specifications of ordered material available on request.
 Copyright © 2017, Douglas Manufacturing Co., Inc. All rights reserved.