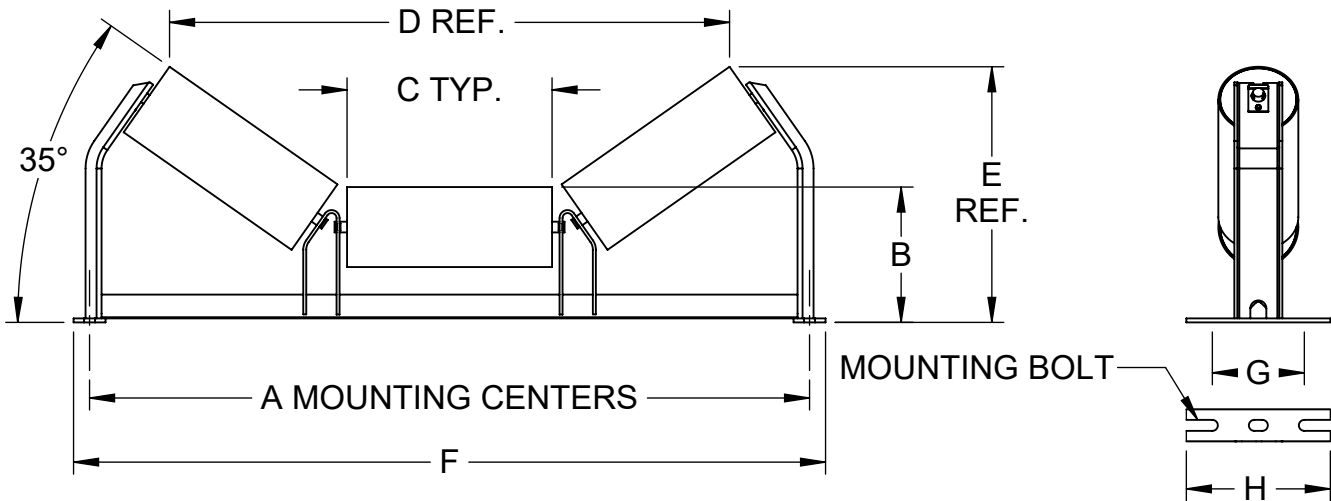


20° TROUGHING IDLER - 4" DIAMETER ROLLS											
BELT WIDTH	IDLER MODEL NO.	WT.	A	B	C	D	E	F	G	H	MOUNTING BOLT
18	DCT-18-20-04	32	27	7 7/8	6 5/8	20 1/2	10 3/8	29	6	7 1/2	1/2
24	DCT-24-20-04	39	33	7 7/8	8 11/16	26 3/4	11 1/8	35	6	7 1/2	1/2
30	DCT-30-20-04	44	39	7 7/8	10 15/16	33	11 13/16	41	6	7 1/2	1/2
36	DCT-36-20-04	50	45	7 7/8	12 15/16	38 7/8	12 7/16	47	6	9	5/8
42	DCT-42-20-04	61	51	8 1/4	14 15/16	44 9/16	13 1/2	53	6	9	5/8
48	DCT-48-20-04	68	57	8 1/4	16 15/16	50 3/16	14 1/8	59	6	9	5/8
54	DCT-54-20-04	81	63	8 11/16	18 15/16	56 1/16	15 5/16	65 1/2	9	11	5/8
60	DCT-60-20-04	89	69	8 11/16	20 15/16	61 13/16	16	71 1/2	9	11	5/8

20° TROUGHING IDLER - 5" DIAMETER ROLLS											
BELT WIDTH	IDLER MODEL NO.	WT.	A	B	C	D	E	F	G	H	MOUNTING BOLT
18	DCT-18-20-05	36	27	8 3/8	6 5/8	20 3/16	10 7/8	29	6	7 1/2	1/2
24	DCT-24-20-05	43	33	8 3/8	8 11/16	26 3/8	11 9/16	35	6	7 1/2	1/2
30	DCT-30-20-05	49	39	8 3/8	10 15/16	32 5/8	12 1/4	41	6	7 1/2	1/2
36	DCT-36-20-05	56	45	8 3/8	12 15/16	38 1/2	12 7/8	47	6	9	5/8
42	DCT-42-20-05	68	51	8 3/4	14 15/16	44 3/16	13 15/16	53	6	9	5/8
48	DCT-48-20-05	75	57	8 3/4	16 15/16	49 15/16	14 5/8	59	6	9	5/8
54	DCT-54-20-05	89	63	9 3/16	18 15/16	55 11/16	15 3/4	65 1/2	9	11	5/8
60	DCT-60-20-05	97	69	9 3/16	20 15/16	61 1/2	16 7/16	71 1/2	9	11	5/8

20° TROUGHING IDLER - 6" DIAMETER ROLLS											
BELT WIDTH	IDLER MODEL NO.	WT.	A	B	C	D	E	F	G	H	MOUNTING BOLT
18	DCT-18-20-06	45	27	8 7/8	6 5/8	19 13/16	11 5/16	29	6	7 1/2	1/2
24	DCT-24-20-06	54	33	8 7/8	8 11/16	26 1/16	12	35	6	7 1/2	1/2
30	DCT-30-20-06	61	39	8 7/8	10 15/16	32 5/16	12 3/4	41	6	7 1/2	1/2
36	DCT-36-20-06	69	45	8 7/8	12 15/16	38 3/16	13 5/16	47	6	9	5/8
42	DCT-42-20-06	83	51	9 1/4	14 15/16	43 7/8	14 7/16	53	6	9	5/8
48	DCT-48-20-06	91	57	9 1/4	16 15/16	49 5/8	15 1/8	59	6	9	5/8
54	DCT-54-20-06	107	63	9 11/16	18 15/16	55 3/8	16 1/4	65 1/2	9	11	5/8
60	DCT-60-20-06	117	69	9 11/16	20 15/16	61 1/8	16 15/16	71 1/2	9	11	5/8


35° TROUGHING IDLER - 4" DIAMETER ROLLS

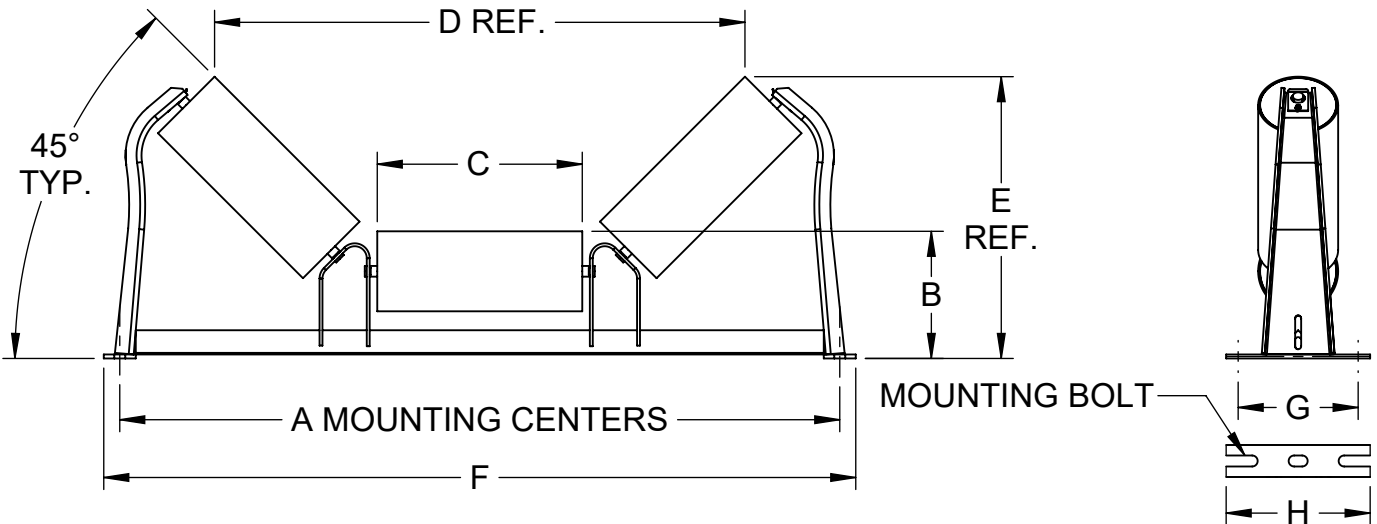
BELT WIDTH	MODEL NO.	WT.	A	B	C	D	E	F	G	H	MOUNTING BOLT
18	DCT-18-35-04	32	27	8	6 5/8	18 5/8	12 1/16	29	6	7 1/2	1/2
24	DCT-24-35-04	39	33	8	8 11/16	24 1/16	13 3/16	35	6	7 1/2	1/2
30	DCT-30-35-04	44	39	8	10 15/16	29 7/8	14 9/16	41	6	7 1/2	1/2
36	DCT-36-35-04	50	45	8	12 15/16	34 7/16	15 9/16	47	7 1/2	9	5/8
42	DCT-42-35-04	61	51	8 3/8	14 15/16	40 5/8	17 1/8	53	7 1/2	9	5/8
48	DCT-48-35-04	68	57	8 3/8	16 15/16	46 1/8	18 3/16	59	7 1/2	9	5/8
54	DCT-54-35-04	81	63	8 13/16	18 15/16	51 1/16	19 13/16	65 1/2	9	11	5/8
60	DCT-60-35-04	89	69	8 13/16	20 15/16	56 15/16	21 1/8	71 1/2	9	11	5/8

35° TROUGHING IDLER - 5" DIAMETER ROLLS

BELT WIDTH	MODEL NO.	WT.	A	B	C	D	E	F	G	H	MOUNTING BOLT
18	DCT-18-35-05	36	27	8 1/2	6 5/8	18	12 7/16	29	6	7 1/2	1/2
24	DCT-24-35-05	43	33	8 1/2	8 11/16	23 1/2	13 5/8	35	6	7 1/2	1/2
30	DCT-30-35-05	49	39	8 1/2	10 15/16	29 5/16	14 15/16	41	6	7 1/2	1/2
36	DCT-36-35-05	56	45	8 1/2	12 15/16	35	16	47	6	9	5/8
42	DCT-42-35-05	68	51	8 7/8	14 15/16	40	17 9/16	53	6	9	5/8
48	DCT-48-35-05	75	57	8 7/8	16 15/16	45 3/8	18 3/16	59	6	9	5/8
54	DCT-54-35-05	89	63	9 5/16	18 15/16	50 1/2	20 1/4	65 1/2	9	11	5/8
60	DCT-60-35-05	97	69	9 5/16	20 15/16	55 11/16	21 1/2	71 1/2	9	11	5/8

35° TROUGHING IDLER - 6" DIAMETER ROLLS

BELT WIDTH	MODEL NO.	WT.	A	B	C	D	E	F	G	H	MOUNTING BOLT
18	DCT-18-35-06	45	27	9	6 5/8	17 7/16	12 7/8	29	6	7 1/2	1/2
24	DCT-24-35-06	54	33	9	8 11/16	22 7/8	14 1/16	35	6	7 1/2	1/2
30	DCT-30-35-06	61	39	9	10 15/16	28 3/4	15 3/8	41	6	7 1/2	1/2
36	DCT-36-35-06	69	45	9	12 15/16	35 9/16	15 9/16	47	6	9	5/8
42	DCT-42-35-06	83	51	9 3/8	14 15/16	39 7/16	17 15/16	53	6	9	5/8
48	DCT-48-35-06	91	57	9 3/8	16 15/16	44 5/8	19 3/16	59	6	9	5/8
54	DCT-54-35-06	107	63	9 13/16	18 15/16	49 7/8	20 5/8	65 1/2	9	11	5/8
60	DCT-60-35-06	117	69	9 13/16	20 15/16	55 1/16	21 15/16	71 1/2	9	11	5/8



45° TROUGHING IDLER - 4" DIAMETER ROLLS											
BELT WIDTH	MODEL NO.	WT.	A	B	C	D	E	F	G	H	MOUNTING BOLT
18	DCT-18-45-04	32	27	7 7/16	6 5/8	18 3/8	13	29	6	7 1/2	1/2
24	DCT-24-45-04	39	33	7 7/16	8 11/16	23 11/16	14 9/16	35	6	7 1/2	1/2
30	DCT-30-45-04	44	39	7 7/16	10 15/16	28 3/4	15 13/16	41	6	7 1/2	1/2
36	DCT-36-45-04	50	45	7 7/16	12 15/16	33 13/16	17 1/4	47	6	9	5/8
42	DCT-42-45-04	61	51	7 13/16	14 15/16	38 7/16	19	53	6	9	5/8
48	DCT-48-45-04	68	57	7 13/16	16 15/16	43 5/16	20 7/16	59	6	9	5/8
54	DCT-54-45-04	81	63	8 1/4	18 15/16	48 1/8	22 5/16	65 1/2	9	11	5/8
60	DCT-60-45-04	89	69	8 1/4	20 15/16	52 15/16	23 11/16	71 1/2	9	11	5/8

45° TROUGHING IDLER - 5" DIAMETER ROLLS											
BELT WIDTH	MODEL NO.	WT.	A	B	C	D	E	F	G	H	MOUNTING BOLT
18	DCT-18-45-05	36	27	7 15/16	6 5/8	17 11/16	13 3/8	29	6	7 1/2	1/2
24	DCT-24-45-05	43	33	7 15/16	8 11/16	23	14 7/8	35	6	7 1/2	1/2
30	DCT-30-45-05	49	39	7 15/16	10 15/16	28 1/16	16 3/16	41	6	7 1/2	1/2
36	DCT-36-45-05	56	45	7 15/16	12 15/16	36 1/8	17 5/8	47	6	9	5/8
42	DCT-42-45-05	68	51	8 5/16	14 15/16	37 3/4	19 3/8	53	6	9	5/8
48	DCT-48-45-05	75	57	8 5/16	16 15/16	42 9/16	20 3/4	59	6	9	5/8
54	DCT-54-45-05	89	63	8 3/4	18 15/16	47 3/8	22 5/8	65 1/2	9	11	5/8
60	DCT-60-45-05	97	69	8 3/4	20 15/16	52 1/4	24 1/16	71 1/2	9	11	5/8

45° TROUGHING IDLER - 6" DIAMETER ROLLS											
BELT WIDTH	MODEL NO.	WT.	A	B	C	D	E	F	G	H	MOUNTING BOLT
18	DCT-18-45-06	45	27	8 7/16	6 5/8	17	13 3/8	29	6	7 1/2	1/2
24	DCT-24-45-06	54	33	8 7/16	8 11/16	22 1/4	15 1/4	35	6	7 1/2	1/2
30	DCT-30-45-06	61	39	8 7/16	10 15/16	27 3/8	16 1/2	41	6	7 1/2	1/2
36	DCT-36-45-06	69	45	8 7/16	12 15/16	32 1/2	17 15/16	47	6	9	5/8
42	DCT-42-45-06	83	51	8 13/16	14 15/16	37 1/16	19 11/16	53	6	9	5/8
48	DCT-48-45-06	91	57	8 13/16	16 15/16	41 7/8	21 1/8	59	6	9	5/8
54	DCT-54-45-06	107	63	9 1/4	18 15/16	46 11/16	23	65 1/2	9	11	5/8
60	DCT-60-45-06	117	69	9 1/4	20 15/16	51 1/2	24 3/8	71 1/2	9	11	5/8