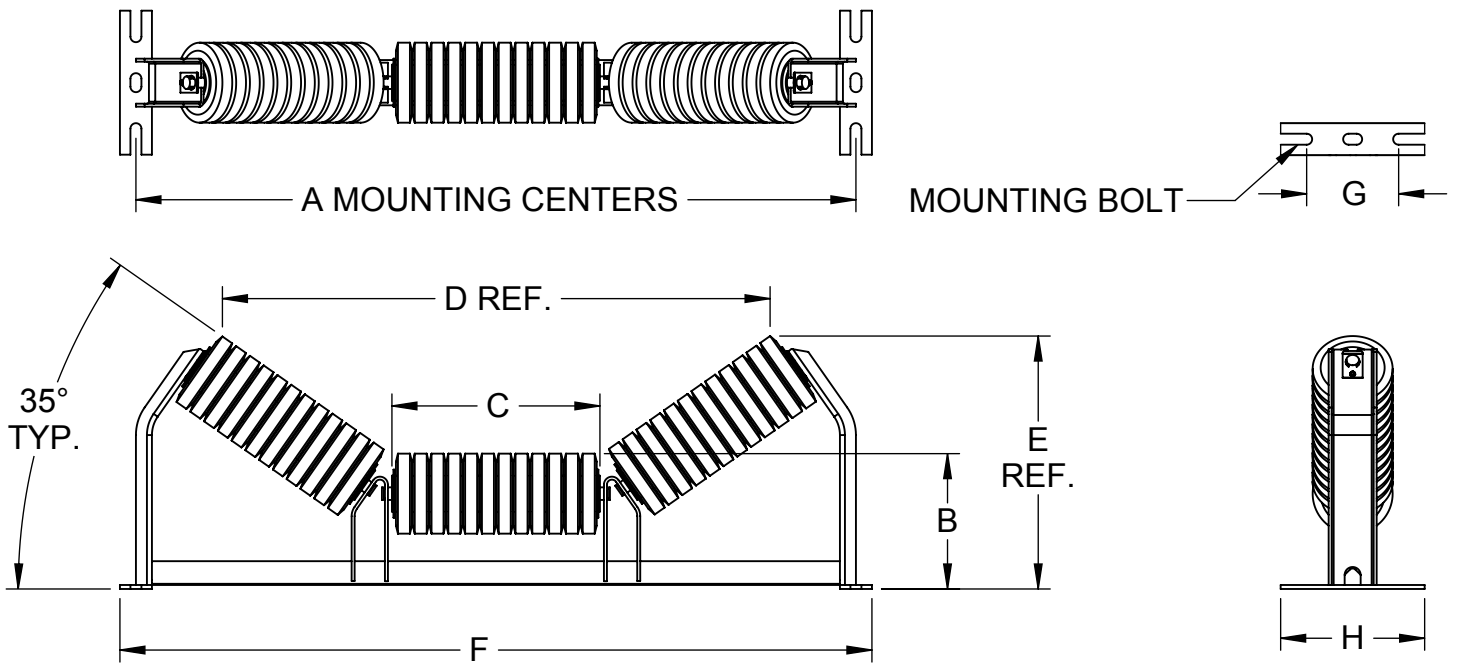

CEMA D 20° RUBBER DISK IMPACT TROUGHED IDLER - 5" DIAMETER ROLLS

| BELT WIDTH | MODEL NO. | WT. | A | B | C | D | E | F | G | H | MOUNTING BOLT |
|------------|--------------|-----|----|--------|----------|----------|----------|--------|-------|-------|---------------|
| 24 | DDI-24-20-05 | 62 | 33 | 8 3/8 | 8 11/16 | 26 3/8 | 11 9/16 | 35 | 6 | 7 1/2 | 1/2 |
| 30 | DDI-30-20-05 | 73 | 39 | 8 3/8 | 10 15/16 | 32 5/8 | 12 1/4 | 41 | 6 | 7 1/2 | 1/2 |
| 36 | DDI-36-20-05 | 84 | 45 | 8 3/8 | 12 15/16 | 38 1/2 | 12 7/8 | 47 | 6 | 7 1/2 | 5/8 |
| 42 | DDI-42-20-05 | 101 | 51 | 8 3/4 | 14 15/16 | 44 3/16 | 13 15/16 | 53 | 7 1/2 | 9 | 5/8 |
| 48 | DDI-48-20-05 | 112 | 57 | 8 3/4 | 16 15/16 | 49 15/16 | 14 5/8 | 59 | 7 1/2 | 9 | 5/8 |
| 54 | DDI-54-20-05 | 130 | 63 | 9 3/16 | 18 15/16 | 55 11/16 | 15 3/4 | 65 1/2 | 9 | 11 | 5/8 |
| 60 | DDI-60-20-05 | 141 | 69 | 9 3/16 | 20 15/16 | 61 1/2 | 16 7/16 | 71 1/2 | 9 | 11 | 5/8 |
| 72 | DDI-72-20-05 | 162 | 81 | 9 3/16 | 20 15/16 | 73 1/16 | 18 3/16 | 83 1/2 | 9 | 11 | 5/8 |

CEMA D 20° RUBBER DISK IMPACT TROUGHED IDLER - 6" DIAMETER ROLLS

| BELT WIDTH | MODEL NO. | WT. | A | B | C | D | E | F | G | H | MOUNTING BOLT |
|------------|--------------|-----|----|---------|----------|----------|----------|--------|-------|-------|---------------|
| 24 | DDI-24-20-06 | 84 | 33 | 8 7/8 | 8 11/16 | 26 1/16 | 12 | 35 | 6 | 7 1/2 | 1/2 |
| 30 | DDI-30-20-06 | 101 | 39 | 8 7/8 | 10 15/16 | 32 5/16 | 12 3/4 | 41 | 6 | 7 1/2 | 1/2 |
| 36 | DDI-36-20-06 | 118 | 45 | 8 7/8 | 12 15/16 | 38 3/16 | 13 5/16 | 47 | 6 | 7 1/2 | 5/8 |
| 42 | DDI-42-20-06 | 140 | 51 | 9 1/4 | 14 15/16 | 43 7/8 | 14 7/16 | 53 | 7 1/2 | 9 | 5/8 |
| 48 | DDI-48-20-06 | 158 | 57 | 9 1/4 | 16 15/16 | 49 5/8 | 15 1/8 | 59 | 7 1/2 | 9 | 5/8 |
| 54 | DDI-54-20-06 | 181 | 63 | 9 11/16 | 18 15/16 | 55 3/8 | 16 1/4 | 65 1/2 | 9 | 11 | 5/8 |
| 60 | DDI-60-20-06 | 198 | 69 | 9 11/16 | 20 15/16 | 61 1/8 | 16 15/16 | 71 1/2 | 9 | 11 | 5/8 |
| 72 | DDI-72-20-06 | 230 | 81 | 9 11/16 | 20 15/16 | 72 13/16 | 18 9/16 | 83 1/2 | 9 | 11 | 5/8 |


CEMA D 35° RUBBER DISK IMPACT TROUGHED IDLER - 5" DIAMETER ROLLS

| BELT WIDTH | MODEL NO. | WT. | A | B | C | D | E | F | G | H | MOUNTING BOLT |
|------------|--------------|-----|----|--------|----------|----------|----------|--------|-------|-------|---------------|
| 24 | DDI-24-35-05 | 62 | 33 | 8 1/2 | 8 11/16 | 23 1/2 | 13 5/8 | 35 | 6 | 7 1/2 | 1/2 |
| 30 | DDI-30-35-05 | 73 | 39 | 8 1/2 | 10 15/16 | 29 5/16 | 14 15/16 | 41 | 6 | 7 1/2 | 1/2 |
| 36 | DDI-36-35-05 | 84 | 45 | 8 1/2 | 12 15/16 | 35 | 16 | 47 | 6 | 7 1/2 | 5/8 |
| 42 | DDI-42-35-05 | 101 | 51 | 8 1/2 | 14 15/16 | 40 | 17 9/16 | 53 | 7 1/2 | 9 | 5/8 |
| 48 | DDI-48-35-05 | 112 | 57 | 8 7/8 | 16 15/16 | 45 3/8 | 18 3/16 | 59 | 7 1/2 | 9 | 5/8 |
| 54 | DDI-54-35-05 | 130 | 63 | 9 5/16 | 18 15/16 | 50 1/2 | 20 1/4 | 65 1/2 | 9 | 11 | 5/8 |
| 60 | DDI-60-35-05 | 141 | 69 | 9 5/16 | 20 15/16 | 55 11/16 | 21 1/2 | 71 1/2 | 9 | 11 | 5/8 |
| 72 | DDI-72-35-05 | 162 | 81 | 9 5/16 | 20 15/16 | 66 9/16 | 23 5/8 | 71 1/2 | 9 | 11 | 5/8 |

CEMA D 35° RUBBER DISK IMPACT TROUGHED IDLER - 6" DIAMETER ROLLS

| BELT WIDTH | MODEL NO. | WT. | A | B | C | D | E | F | G | H | MOUNTING BOLT |
|------------|--------------|-----|----|---------|----------|---------|----------|--------|-------|-------|---------------|
| 24 | DDI-24-35-06 | 84 | 33 | 9 | 8 11/16 | 22 7/8 | 14 1/16 | 35 | 6 | 7 1/2 | 1/2 |
| 30 | DDI-30-35-06 | 101 | 39 | 9 | 10 15/16 | 28 3/4 | 15 3/8 | 41 | 6 | 7 1/2 | 1/2 |
| 36 | DDI-36-35-06 | 118 | 45 | 9 | 12 15/16 | 35 5/9 | 15 9/16 | 47 | 6 | 7 1/2 | 5/8 |
| 42 | DDI-42-35-06 | 140 | 51 | 9 | 14 15/16 | 39 7/16 | 17 15/16 | 53 | 7 1/2 | 9 | 5/8 |
| 48 | DDI-48-35-06 | 158 | 57 | 9 3/8 | 16 15/16 | 44 5/8 | 19 3/16 | 59 | 7 1/2 | 9 | 5/8 |
| 54 | DDI-54-35-06 | 181 | 63 | 9 13/16 | 18 15/16 | 49 7/8 | 20 5/8 | 65 1/2 | 9 | 11 | 5/8 |
| 60 | DDI-60-35-06 | 198 | 69 | 9 13/16 | 20 15/16 | 55 1/16 | 21 15/16 | 71 1/2 | 9 | 11 | 5/8 |
| 72 | DDI-72-35-06 | 230 | 81 | 9 13/16 | 20 15/16 | 65 9/16 | 23 15/16 | 71 1/2 | 9 | 11 | 5/8 |