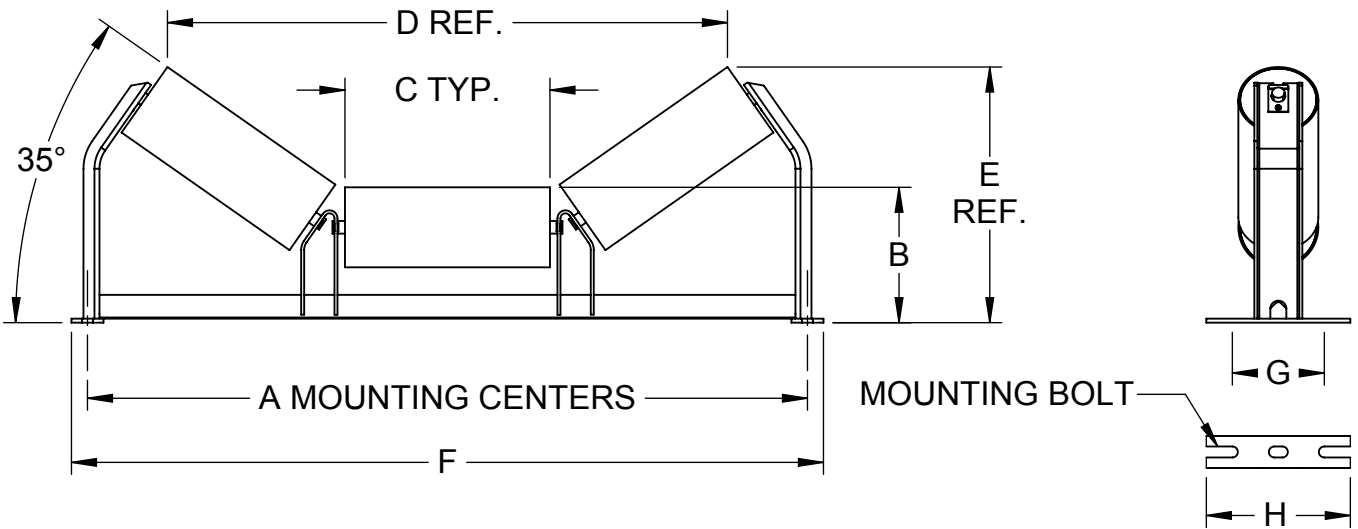

**CEMA D 20° TROUGHING IDLER - 5" DIAMETER ROLLS**

BELT WIDTH	MODEL NO.	WT.	A	B	C	D	E	F	G	H	MOUNTING BOLT
24	DDT-24-20-05	50	33	8 3/8	8 11/16	26 3/8	11 9/16	35	6	7 1/2	1/2
30	DDT-30-20-05	58	39	8 3/8	10 15/16	32 5/8	12 1/4	41	6	7 1/2	1/2
36	DDT-36-20-05	67	45	8 3/8	12 15/16	38 1/2	12 7/8	47	6	7 1/2	5/8
42	DDT-42-20-05	80	51	8 3/4	14 15/16	44 3/16	13 15/16	53	7 1/2	9	5/8
48	DDT-48-20-05	88	57	8 3/4	16 15/16	49 15/16	14 5/8	59	7 1/2	9	5/8
54	DDT-54-20-05	104	63	9 3/16	18 15/16	55 11/16	15 3/4	65 1/2	9	11	5/8
60	DDT-60-20-05	112	69	9 3/16	20 15/16	61 1/2	16 7/16	71 1/2	9	11	5/8
72	DDT-72-20-05	129	81	9 3/16	20 15/16	73 1/16	18 3/16	83 1/2	9	11	5/8

**CEMA D 20° TROUGHING IDLER - 6" DIAMETER ROLLS**

BELT WIDTH	MODEL NO.	WT.	A	B	C	D	E	F	G	H	MOUNTING BOLT
24	DDT-24-20-06	57	33	8 7/8	8 11/16	26 1/16	12	35	6	7 1/2	1/2
30	DDT-30-20-06	67	39	8 7/8	10 15/16	32 5/16	12 3/4	41	6	7 1/2	1/2
36	DDT-36-20-06	77	45	8 7/8	12 15/16	38 3/16	13 5/16	47	6	7 1/2	5/8
42	DDT-42-20-06	91	51	9 1/4	14 15/16	43 7/8	14 7/16	53	7 1/2	9	5/8
48	DDT-48-20-06	101	57	9 1/4	16 15/16	49 5/8	15 1/8	59	7 1/2	9	5/8
54	DDT-54-20-06	118	63	9 11/16	18 15/16	55 3/8	16 1/4	65 1/2	9	11	5/8
60	DDT-60-20-06	127	69	9 11/16	20 15/16	61 1/8	16 15/16	71 1/2	9	11	5/8
72	DDT-72-20-06	147	81	9 11/16	20 15/16	72 13/16	18 9/16	83 1/2	9	11	5/8


**35° IMPACT TROUGHING IDLER - 5" DIAMETER ROLLS**

BELT WIDTH	MODEL NO.	WT.	A	B	C	D	E	F	G	H	MOUNTING BOLT
24	DDT-24-35-05	51	33	8 1/2	8 11/16	23 1/2	13 5/8	35	6	7 1/2	1/2
30	DDT-30-35-05	59	39	8 1/2	10 15/16	29 5/16	14 15/16	41	6	7 1/2	1/2
36	DDT-36-35-05	67	45	8 1/2	12 15/16	35	16	47	6	7 1/2	5/8
42	DDT-42-35-05	80	51	8 1/2	14 15/16	40	17 9/16	53	7 1/2	9	5/8
48	DDT-48-35-05	88	57	8 7/8	16 15/16	45 3/8	18 3/16	59	7 1/2	9	5/8
54	DDT-54-35-05	104	63	9 5/16	18 15/16	50 1/2	20 1/4	65 1/2	9	11	5/8
60	DDT-60-35-05	112	69	9 5/16	20 15/16	55 11/16	21 1/2	71 1/2	9	11	5/8
72	DDT-72-35-05	129	81	9 5/16	20 15/16	66 9/16	23 5/8	71 1/2	9	11	5/8

**35° IMPACT TROUGHING IDLER - 6" DIAMETER ROLLS**

BELT WIDTH	MODEL NO.	WT.	A	B	C	D	E	F	G	H	MOUNTING BOLT
24	DDT-24-35-06	53	33	9	8 2/3	22 7/8	14 1/16	35	6	7 1/2	1/2
30	DDT-30-35-06	68	39	9	10 15/16	28 3/4	15 3/8	41	6	7 1/2	1/2
36	DDT-36-35-06	78	45	9	12 15/16	35 5/9	15 9/16	47	6	7 1/2	5/8
42	DDT-42-35-06	92	51	9	14 15/16	39 7/16	17 15/16	53	7 1/2	9	5/8
48	DDT-48-35-06	101	57	9 3/8	16 15/16	44 5/8	19 3/16	59	7 1/2	9	5/8
54	DDT-54-35-06	119	63	9 13/16	18 15/16	49 7/8	20 5/8	65 1/2	9	11	5/8
60	DDT-60-35-06	129	69	9 13/16	20 15/16	55 1/16	21 15/16	71 1/2	9	11	5/8
72	DDT-72-35-06	148	81	9 13/16	20 15/16	65 9/16	23 15/16	71 1/2	9	11	5/8