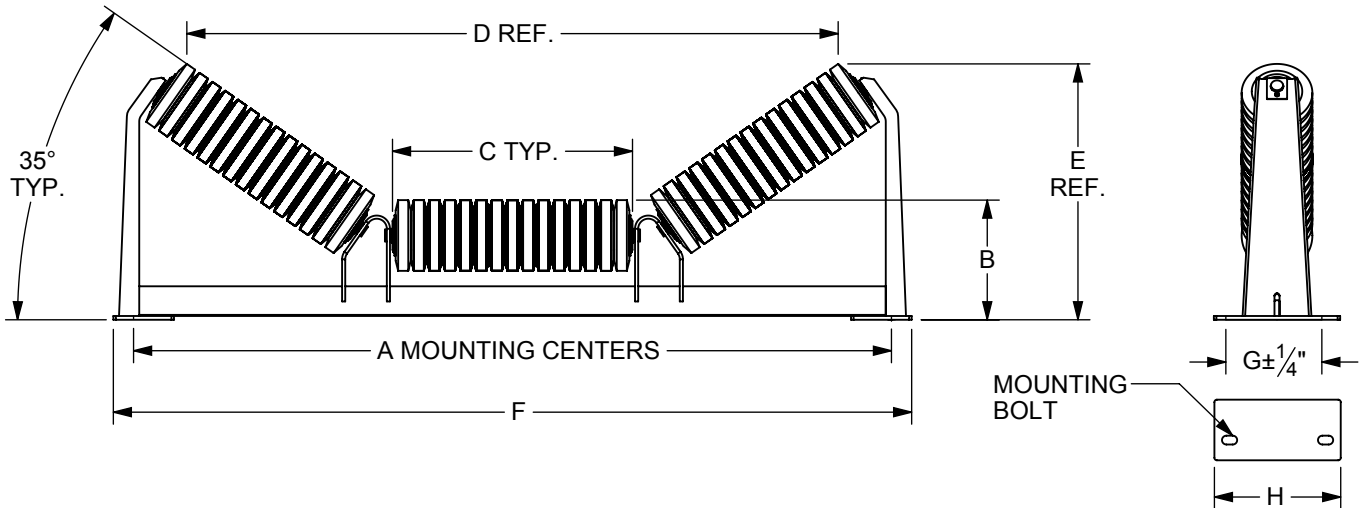

CEMA E 20° TROUGHING IDLER 6" DIAMETER ROLLS

BELT WIDTH	MODEL NO.	WT.	A	B	C	D	E	F	G	H	MOUNTING BOLT
36	DEI-36-20-06	162	45	10 1/4	13	39 5/8	14 15/16	49	9 1/2	12 1/2	3/4
42	DEI-42-20-06	179	51	10 1/4	15	45 3/8	15 5/8	55	9 1/2	12 1/2	3/4
48	DEI-48-20-06	197	57	10 1/4	17 3/4	53 1/4	16 9/16	61	9 1/2	12 1/2	3/4
54	DEI-54-20-06	227	63	10 9/16	19 3/4	59 1/16	17 9/16	67	9 1/2	12 1/2	3/4
60	DEI-60-20-06	245	254	10 9/16	21 3/4	64 13/16	18 1/4	73	9 1/2	12 1/2	3/4
66	DEI-66-20-06	289	298	11 5/16	23 3/4	70 9/16	19 5/8	79	9 1/2	12 1/2	3/4
72	DEI-72-20-06	310	319	11 5/16	25 3/4	76 3/16	20 5/16	85	9 1/2	12 1/2	3/4
78	DEI-78-20-06	331	340	11 5/16	27 3/4	82 1/16	21	91	9 1/2	12 1/2	3/4
84	DEI-84-20-06	386	395	12 1/16	29 3/4	87 13/16	22 1/2	97	12	14 1/2	3/4
96	DEI-96-20-06	432	441	12 1/16	33 3/4	99 3/8	23 7/8	109	12	14 1/2	3/4

CEMA E 20° TROUGHING IDLER 7" DIAMETER ROLLS

BELT WIDTH	MODEL NO.	WT.	A	B	C	D	E	F	G	H	MOUNTING BOLT
36	DEI-36-20-07	173	45	10 3/4	13	39 1/4	15 3/8	49	9 1/2	12 1/2	3/4
42	DEI-42-20-07	193	51	10 3/4	15	45	16 1/16	55	9 1/2	12 1/2	3/4
48	DEI-48-20-07	212	57	10 3/4	17 3/4	52 15/16	17	61	9 1/2	12 1/2	3/4
54	DEI-54-20-07	245	63	11 1/16	19 3/4	58 11/16	18 1/16	67	9 1/2	12 1/2	3/4
60	DEI-60-20-07	264	273	11 1/16	21 3/4	64 7/16	18 3/4	73	9 1/2	12 1/2	3/4
66	DEI-66-20-07	310	319	11 13/16	23 3/4	70 1/4	20 1/8	79	9 1/2	12 1/2	3/4
72	DEI-72-20-07	319	328	11 13/16	25 3/4	76	20 13/16	85	9 1/2	12 1/2	3/4
78	DEI-78-20-07	342	351	11 13/16	27 3/4	81 3/4	21 1/2	91	9 1/2	12 1/2	3/4
84	DEI-84-20-07	399	408	12 9/16	29 3/4	87 1/2	22 15/16	97	12	14 1/2	3/4
96	DEI-96-20-07	450	459	12 9/16	33 3/4	99	24 5/16	109	12	14 1/2	3/4


CEMA E 35° IMPACT TROUGHING IDLER 6" DIAMETER ROLLS

BELT WIDTH	MODEL NO.	WT.	A	B	C	D	E	F	G	H	MOUNTING BOLT
36	DEI-36-35-06	176	45	10 1/4	13	37 9/16	18	49	9 1/2	12 1/2	3/4
42	DEI-42-35-06	195	51	10 1/4	15	42 7/8	19 3/16	55	9 1/2	12 1/2	3/4
48	DEI-48-35-06	214	57	10 1/4	17 3/4	50 1/8	20 3/4	61	9 1/2	12 1/2	3/4
54	DEI-54-35-06	247	63	10 9/16	19 3/4	55 3/8	22 1/4	67	9 1/2	12 1/2	3/4
60	DEI-60-35-06	266	275	10 9/16	21 3/4	60 5/8	23 3/8	73	9 1/2	12 1/2	3/4
66	DEI-66-35-06	314	323	11 5/16	23 3/4	65 15/16	25 1/4	79	9 1/2	12 1/2	3/4
72	DEI-72-35-06	337	346	11 5/16	25 3/4	71 3/16	26 3/8	85	9 1/2	12 1/2	3/4
78	DEI-78-35-06	360	369	11 5/16	27 3/4	76 1/2	27 9/16	91	9 1/2	12 1/2	3/4
84	DEI-84-35-06	420	429	12 1/16	29 3/4	81 3/4	29 7/16	97	12	14 1/2	3/4
96	DEI-96-35-06	470	479	12 1/16	33 3/4	92 5/16	31 3/4	109	12	14 1/2	3/4

CEMA E 35° IMPACT TROUGHING IDLER 7" DIAMETER ROLLS

BELT WIDTH	MODEL NO.	WT.	A	B	C	D	E	F	G	H	MOUNTING BOLT
36	DEI-36-35-07	188	45	10 3/4	13	37	18 7/16	49	9 1/2	12 1/2	3/4
42	DEI-42-35-07	210	51	10 3/4	15	42 1/4	19 9/16	55	9 1/2	12 1/2	3/4
48	DEI-48-35-07	230	57	10 3/4	17 3/4	49 1/2	21 1/8	61	9 1/2	12 1/2	3/4
54	DEI-54-35-07	266	63	11 1/16	19 3/4	54 13/16	22 5/8	67	9 1/2	12 1/2	3/4
60	DEI-60-35-07	287	296	11 1/16	21 3/4	60 1/16	23 13/16	73	9 1/2	12 1/2	3/4
66	DEI-66-35-07	337	346	11 13/16	23 3/4	65 3/8	25 5/8	79	9 1/2	12 1/2	3/4
72	DEI-72-35-07	347	356	11 13/16	25 3/4	70 5/8	26 13/16	85	9 1/2	12 1/2	3/4
78	DEI-78-35-07	372	381	11 13/16	27 3/4	75 15/16	27 15/16	91	9 1/2	12 1/2	3/4
84	DEI-84-35-07	434	443	12 9/16	29 3/4	81 3/16	29 7/8	97	12	14 1/2	3/4
96	DEI-96-35-07	489	498	12 9/16	33 3/4	91 3/4	32 3/16	109	12	14 1/2	3/4

All dimensions and specifications subject to change without notice.
 Certified dimensions and specifications of ordered material available on request.
 Copyright © 2015, Douglas Manufacturing Co., Inc. All rights reserved.