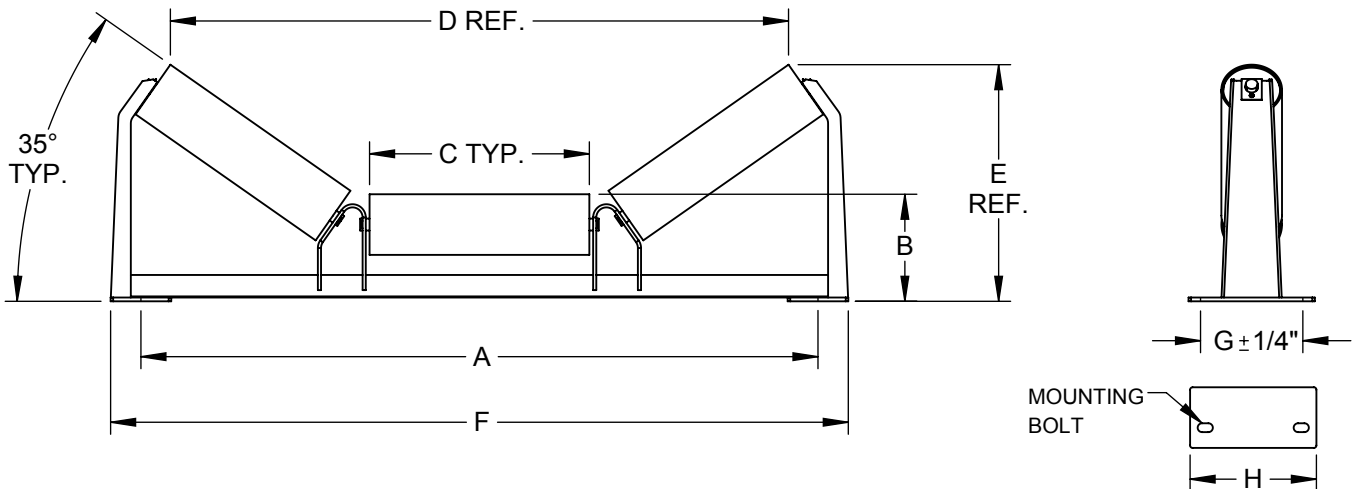

CEMA E 20° TROUGHING IDLER 6" DIAMETER ROLLS

BELT WIDTH	MODEL NO.	WT.	A	B	C	D	E	F	G	H	MOUNTING BOLT
36	DET-36-20-06	137	45	10 1/4	13	39 5/8	14 15/16	49	9 1/2	12 1/2	3/4
42	DET-42-20-06	149	51	10 1/4	15	45 3/8	15 5/8	55	9 1/2	12 1/2	3/4
48	DET-48-20-06	164	57	10 1/4	17 3/4	53 1/4	16 9/16	61	9 1/2	12 1/2	3/4
54	DET-54-20-06	182	63	10 9/16	19 3/4	59 1/16	17 9/16	67	9 1/2	12 1/2	3/4
60	DET-60-20-06	197	69	10 9/16	21 3/4	64 13/16	18 1/4	73	9 1/2	12 1/2	3/4
66	DET-66-20-06	226	75	11 5/16	23 3/4	70 9/16	19 5/8	79	9 1/2	12 1/2	3/4
72	DET-72-20-06	239	81	11 5/16	25 3/4	76 3/16	20 5/16	85	9 1/2	12 1/2	3/4
78	DET-78-20-06	251	87	11 5/16	27 3/4	82 1/16	21	91	9 1/2	12 1/2	3/4
84	DET-84-20-06	316	93	12 1/16	29 3/4	87 13/16	22 1/2	97	12	14 1/2	3/4
96	DET-96-20-06	348	105	12 1/16	33 3/4	99 3/8	23 7/8	109	12	14 1/2	3/4

CEMA E 20° TROUGHING IDLER 7" DIAMETER ROLLS

BELT WIDTH	MODEL NO.	WT.	A	B	C	D	E	F	G	H	MOUNTING BOLT
36	DET-36-20-07	163	45	10 3/4	13	39 1/4	15 3/8	49	9 1/2	12 1/2	3/4
42	DET-42-20-07	178	51	10 3/4	15	45	16 1/16	55	9 1/2	12 1/2	3/4
48	DET-48-20-07	197	57	10 3/4	17 3/4	52 15/16	17	61	9 1/2	12 1/2	3/4
54	DET-54-20-07	219	63	11 1/16	19 3/4	58 11/16	18 1/16	67	9 1/2	12 1/2	3/4
60	DET-60-20-07	237	69	11 1/16	21 3/4	64 7/16	18 3/4	73	9 1/2	12 1/2	3/4
66	DET-66-20-07	270	75	11 13/16	23 3/4	70 1/4	20 1/8	79	9 1/2	12 1/2	3/4
72	DET-72-20-07	285	81	11 13/16	25 3/4	76	20 13/16	85	9 1/2	12 1/2	3/4
78	DET-78-20-07	301	87	11 13/16	27 3/4	81 3/4	21 1/2	91	9 1/2	12 1/2	3/4
84	DET-84-20-07	369	93	12 9/16	29 3/4	87 1/2	22 15/16	97	12	14 1/2	3/4
96	DET-96-20-07	407	105	12 9/16	33 3/4	99	24 5/16	109	12	14 1/2	3/4


CEMA E 35° TROUGHING IDLER 6" DIAMETER ROLLS

BELT WIDTH	MODEL NO.	WT.	A	B	C	D	E	F	G	H	MOUNTING BOLT
36	DET-36-35-06	146	45	10 1/4	13	37 9/16	18	49	9 1/2	12 1/2	3/4
42	DET-42-35-06	160	51	10 1/4	15	42 7/8	19 3/16	55	9 1/2	12 1/2	3/4
48	DET-48-35-06	177	57	10 1/4	17 3/4	50 1/8	20 3/4	61	9 1/2	12 1/2	3/4
54	DET-54-35-06	196	63	10 9/16	19 3/4	55 3/8	22 1/4	67	9 1/2	12 1/2	3/4
60	DET-60-35-06	208	69	10 9/16	21 3/4	60 5/8	23 3/8	73	9 1/2	12 1/2	3/4
66	DET-66-35-06	237	75	11 5/16	23 3/4	65 15/16	25 1/4	79	9 1/2	12 1/2	3/4
72	DET-72-35-06	250	81	11 5/16	25 3/4	71 3/16	26 3/8	85	9 1/2	12 1/2	3/4
78	DET-78-35-06	264	87	11 5/16	27 3/4	76 1/2	27 9/16	91	9 1/2	12 1/2	3/4
84	DET-84-35-06	328	93	12 1/16	29 3/4	81 3/4	29 7/16	97	12	14 1/2	3/4
96	DET-96-35-06	362	105	12 1/16	33 3/4	92 5/16	31 3/4	109	12	14 1/2	3/4

CEMA E 35° TROUGHING IDLER 7" DIAMETER ROLLS

BELT WIDTH	MODEL NO.	WT.	A	B	C	D	E	F	G	H	MOUNTING BOLT
36	DET-36-35-07	170	45	10 3/4	13	37	18 7/16	49	9 1/2	12 1/2	3/4
42	DET-42-35-07	188	51	10 3/4	15	42 1/4	19 9/16	55	9 1/2	12 1/2	3/4
48	DET-48-35-07	218	57	10 3/4	17 3/4	49 1/2	21 1/8	61	9 1/2	12 1/2	3/4
54	DET-54-35-07	231	63	11 1/16	19 3/4	54 13/16	22 5/8	67	9 1/2	12 1/2	3/4
60	DET-60-35-07	247	69	11 1/16	21 3/4	60 1/16	23 13/16	73	9 1/2	12 1/2	3/4
66	DET-66-35-07	280	75	11 13/16	23 3/4	65 3/8	25 5/8	79	9 1/2	12 1/2	3/4
72	DET-72-35-07	295	81	11 13/16	25 3/4	70 5/8	26 13/16	85	9 1/2	12 1/2	3/4
78	DET-78-35-07	312	87	11 13/16	27 3/4	75 15/16	27 15/16	91	9 1/2	12 1/2	3/4
84	DET-84-35-07	378	93	12 9/16	29 3/4	81 3/16	29 7/8	97	12	14 1/2	3/4
96	DET-96-35-07	420	105	12 9/16	33 3/4	91 3/4	32 3/16	109	12	14 1/2	3/4

All dimensions and specifications subject to change without notice.
 Certified dimensions and specifications of ordered material available on request.
 Copyright © 2015, Douglas Manufacturing Co., Inc. All rights reserved.